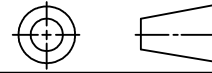


:\DWGS\CSD-209124

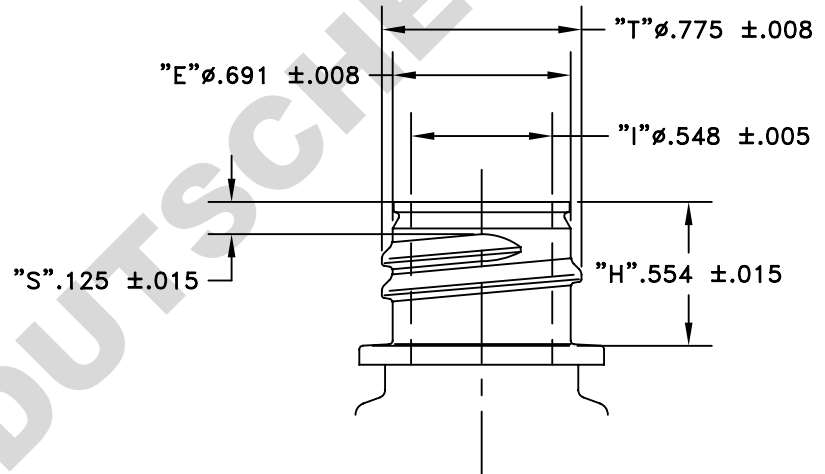
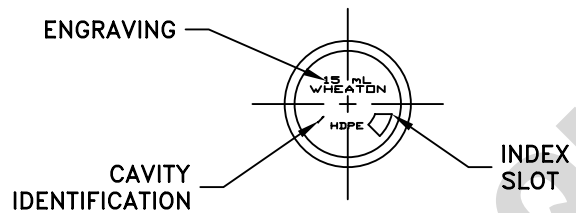
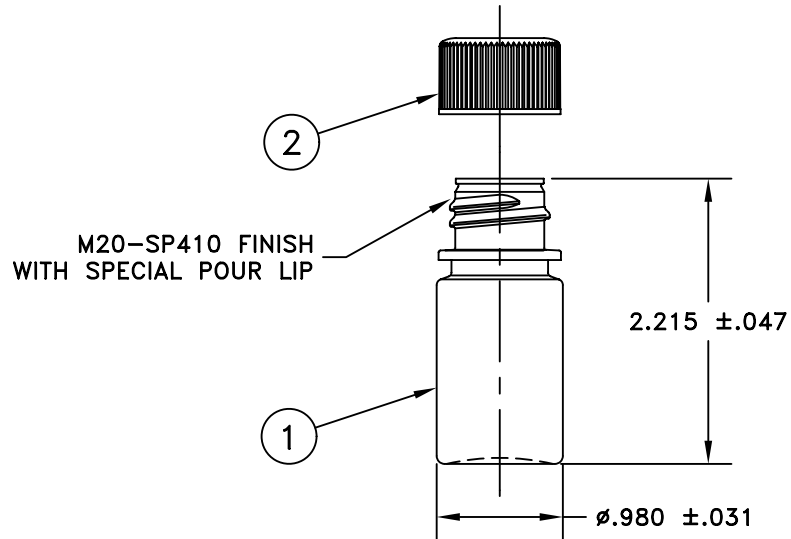
THIS DRAWING CONTAINS CONFIDENTIAL INFORMATION AND IS A COPYRIGHT OF DWK LIFE SCIENCES INC. IT MAY NOT BE DUPLICATED FOR ANY PURPOSE IN WHOLE OR IN PART WITHOUT THE EXPRESS WRITTEN CONSENT OF DWK LIFE SCIENCES INC. ALL RIGHTS RESERVED. ELECTRONIC OR PAPER COPIES OF THIS PRINT OUTSIDE OF DWK LIFE SCIENCES SYSTEM ARE UNCONTROLLED AND ARE FOR REFERENCE ONLY UNLESS OTHERWISE STAMPED.

THIRD ANGLE PROJECTION



PRODUCT COMPONENTS

ITEM	QTY	DESCRIPTION
1.	72	15ML BTL, NM RD
2.	72	20MM STAR CAP



FINISH DETAIL
SCALE 2:1

BOTTLE MATERIAL: AMBER HIGH DENSITY POLYETHYLENE
CAP MATERIAL: AMBER POLYPROPYLENE

2. APPROXIMATE WEIGHT EXCLUDES CAP.		CAPACITY 17.5 ± 1.0cc OVERFLOW	DATE DRAWN 09/08/09	PROJ#	-	REVISED TO DWK STDS 07/18/20 EL
1. DIMENSIONS ARE IN INCHES.			DRAWN BY JB	APPROX. WGT. 5.5 ± 0.5grams	B	2009082016365166
-----NOTES-----		FINISH M20 SP410 (SPECIAL) POUR LIP	CHECKED BY BL 9/8/09	AUTHORIZED TRJ 9/9/09	REV	E.C.N. # DATE
		SCALE: FULL UNLESS NOTED. DO NOT SCALE THIS DRAWING.	DURAN WHEATON KIMBLE 1501 North 10th Street Millville, NJ 08332-2038 USA		DWG. NO: B- CSD-209124	