

:\DWGS\CSD-209123

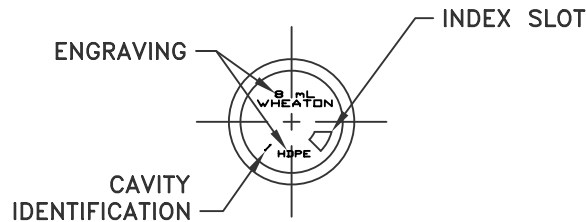
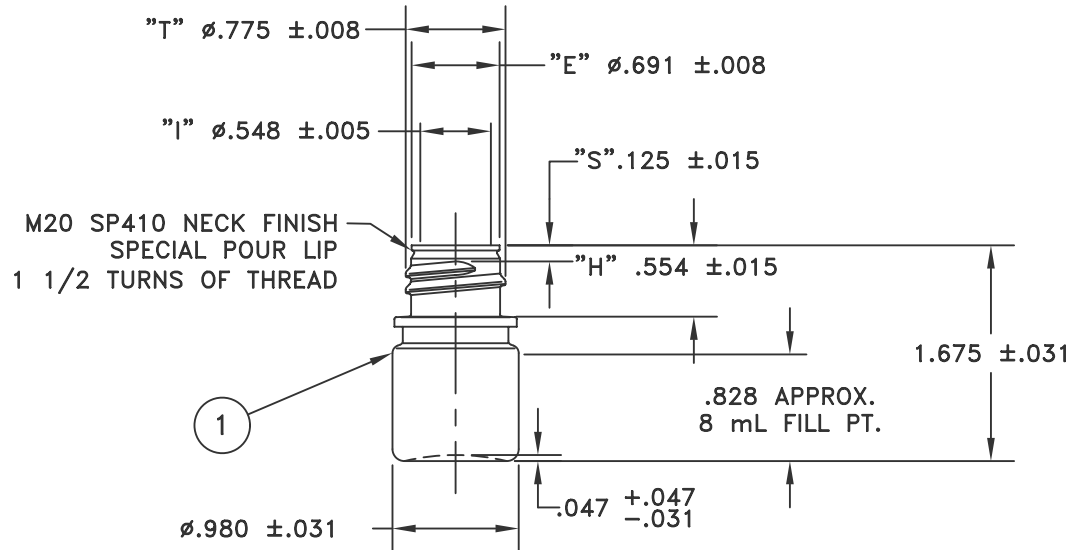
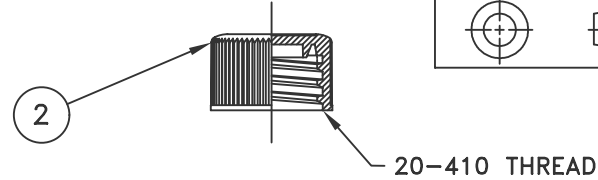
TOLERANCE UNLESS SPECIFIED: ±.015

THIS DRAWING CONTAINS CONFIDENTIAL INFORMATION AND IS A COPYRIGHT OF DWK LIFE SCIENCES INC. IT MAY NOT BE DUPLICATED FOR ANY PURPOSE IN WHOLE OR IN PART WITHOUT THE EXPRESS WRITTEN CONSENT OF DWK LIFE SCIENCES INC. ALL RIGHTS RESERVED. © ELECTRONIC OR PAPER COPIES OF THIS PRINT OUTSIDE OF DWK LIFE SCIENCES SYSTEM ARE UNCONTROLLED AND ARE FOR REFERENCE ONLY UNLESS OTHERWISE STAMPED.

THIRD ANGLE PROJECTION

PRODUCT COMPONENTS

ITEM	QTY	DESCRIPTION
1.	72	8 ML BTL, NM RD, HDPE AMB
2.	72	20MM STAR CAP, PP, AMB



BOTTLE MATERIAL: AMBER HIGH DENSITY POLYETHYLENE  
 CAP MATERIAL: AMBER POLYPROPYLENE

4. APPROXIMATE WEIGHT EXCLUDES CAP.	TITLE	DATE DRAWN	PROJ#	REVISED TO DWK STDS	03/27/20 EL
3. BOTTLE CALCULATED AVG. WALL: .030 REF ONLY.	8mL STAR BTL, NM HDPE AMB, 20-410 CAP	08/04/09		—	
2. ALL DIMENSIONS APPLY AFTER FLAMING.	CAPACITY	DRAWN BY	APPROX. WGT.	200907220920554	08/04/09 JB
1. DIMENSIONS ARE IN INCHES.	12.5 ±.75cc OVERFLOW	JB	4.0 ±.5 grams	A	
-----NOTES-----	FINISH	CHECKED BY	AUTHORIZED	REV	E.C.N. # DATE
	M20-SP410 SPECIAL POUR LIP NECK	BL 8/5/09	TRJ 8/5/09		
	SCALE: FULL UNLESS NOTED. DO NOT SCALE THIS DRAWING.	DURAN WHEATON KIMBLE 1501 North 10th Street   Millis, NJ 08332-2038   USA		DWG. NO: B- CSD-209123	