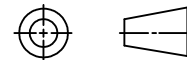


THIS DRAWING CONTAINS CONFIDENTIAL INFORMATION AND IS A COPYRIGHT OF DWK LIFE SCIENCES INC. IT MAY NOT BE DUPLICATED FOR ANY PURPOSE IN WHOLE OR IN PART WITHOUT THE EXPRESS WRITTEN CONSENT OF DWK LIFE SCIENCES INC. ALL RIGHTS RESERVED. (3) ELECTRONIC OR PAPER COPIES OF THIS PRINT OUTSIDE OF DWK LIFE SCIENCES SYSTEMS ARE UNCONTROLLED AND ARE FOR REFERENCE ONLY UNLESS OTHERWISE STAMPED.

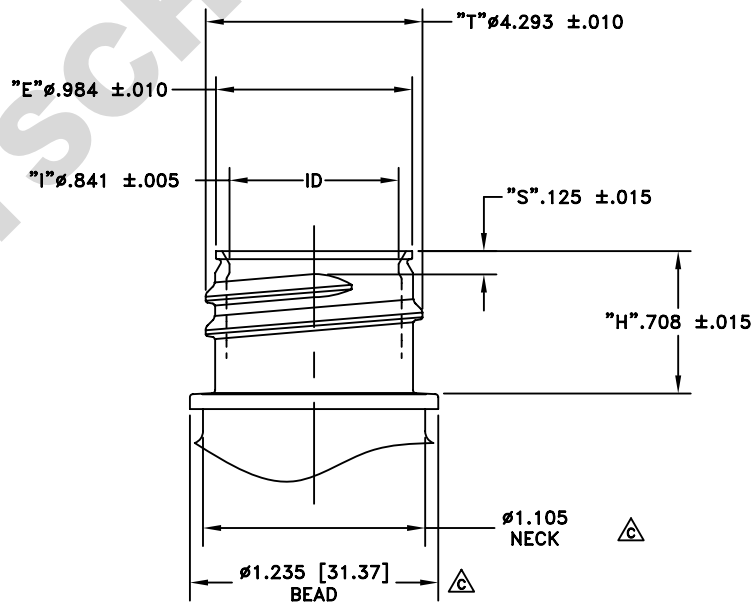
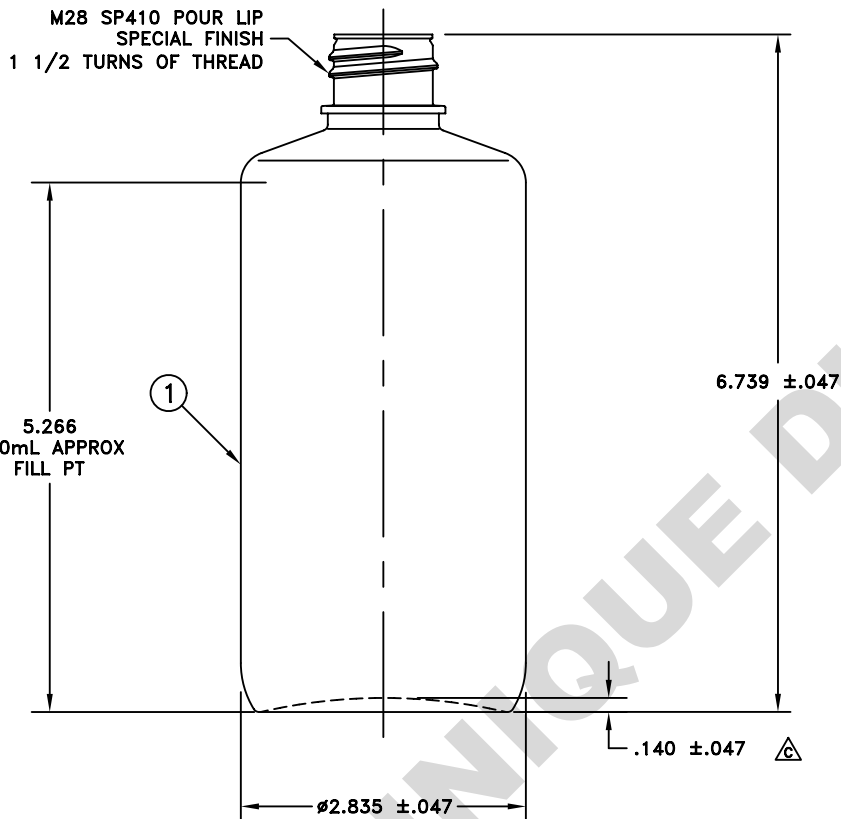
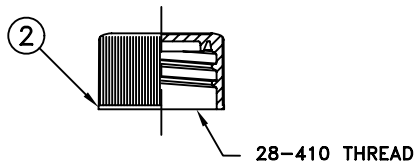
TOLERANCE UNLESS SPECIFIED: ±.015

THIRD ANGLE PROJECTION



PRODUCT COMPONENTS

ITEM	QTY	DESCRIPTION
1.	48	500mL BOTTLE
2.	48	28-410 CAP



FINISH DETAIL  
SCALE 2 X 1

BOTTLE MATERIAL: NATURAL HIGH DENSITY POLYETHYLENE  
CAP MATERIAL: NATURAL POLYPROPYLENE

4. APPROXIMATE WEIGHTS: BOTTLE 45.0 ±1.5 grams, CAP 4.3 ±0.4 grams.	TITLE 500mL, STAR BTL, NM HDPE NAT, 28-410 CAP	DATE DRAWN 7/14/06	PROJ #	-	CORPORATE NAME CHANGE	11/17/17 KW
3. ALL DIMENSIONS APPLY AFTER FLAMING.	DRAWN BY B. LLOYD	CAPACITY 542.0 ±11.0mL OVERFLOW	CHECKED BY TRJ 7/19/06	APPROX. WGT-SEE NOTE 5	C	2014042309254170 05/07/14 TP
2. ALL DIMENSIONS ARE IN INCHES.	FINISH M28 SP410 SPECIAL POUR LIP	AUTHORIZED CJM 7/19/06	REV	E.C.N. #	DATE	
1. CALCULATED AVERAGE WALL: .044 REF ONLY. (BOTTLE ONLY)	SCALE: FULL UNLESS NOTED. DO NOT SCALE THIS DRAWING.	DURAN WHEATON KIMBLE 1201 North 10th Street   Millville, NJ 08332-3838   USA		DWG. NO: C-CSD-209049		

-----NOTES-----