

:DWGS\209047

THIS DRAWING CONTAINS CONFIDENTIAL INFORMATION AND IS A COPYRIGHT OF DWK LIFE SCIENCES INC. IT MAY NOT BE DUPLICATED FOR ANY PURPOSE IN WHOLE OR IN PART WITHOUT THE EXPRESS WRITTEN CONSENT OF DWK LIFE SCIENCES INC. ALL RIGHTS RESERVED. ELECTRONIC OR PAPER COPIES OF THIS PRINT OUTSIDE OF DWK LIFE SCIENCES SYSTEM ARE UNCONTROLLED AND ARE FOR REFERENCE ONLY UNLESS OTHERWISE STAMPED.

TOLERANCE UNLESS SPECIFIED: ± 0.015 [0.38]

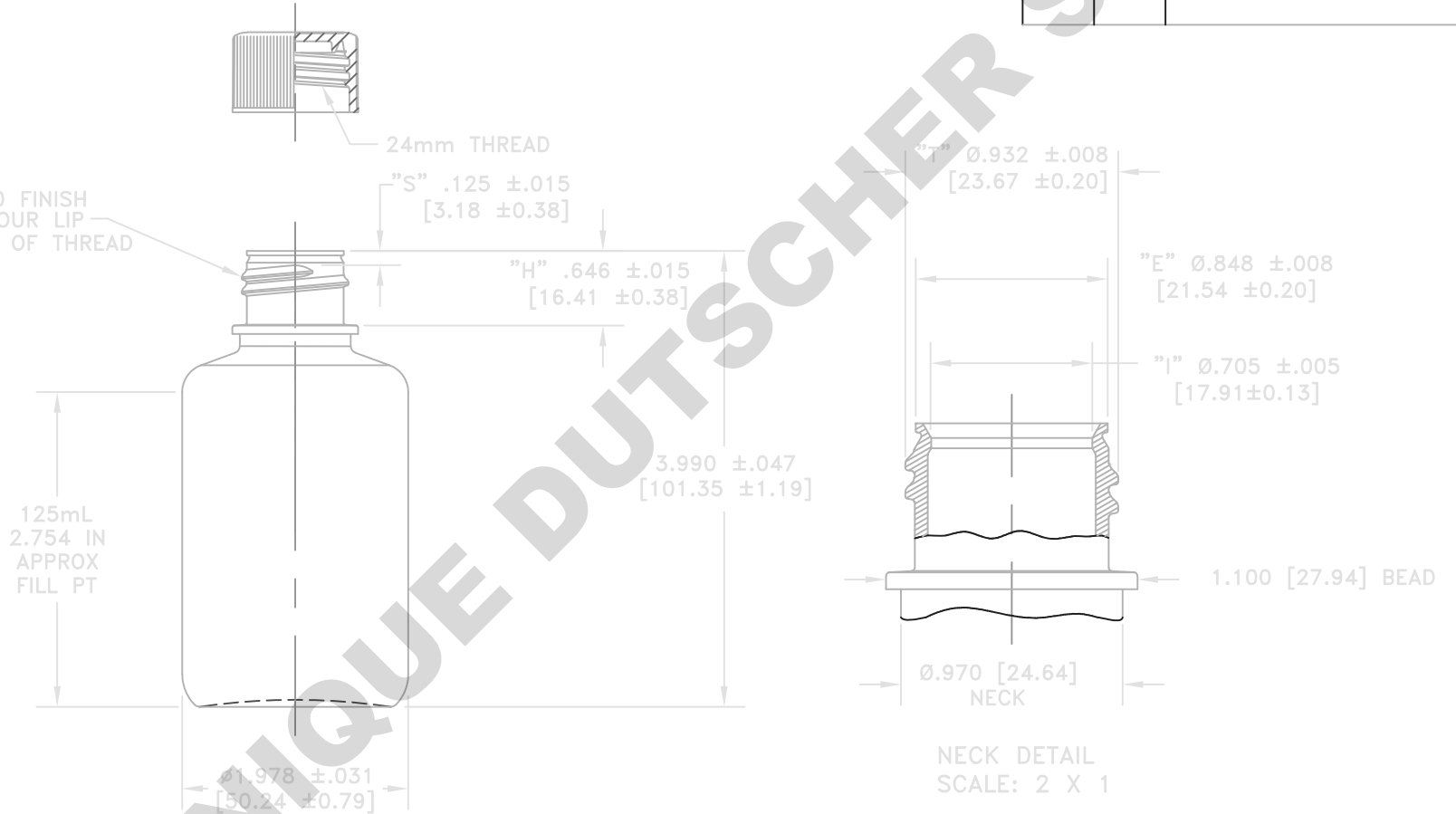
THIRD ANGLE PROJECTION



PRODUCT COMPONENTS

ITEM	QTY	DESCRIPTION

M24 SP410 FINISH
SPECIAL POUR LIP
1 1/2 TURNS OF THREAD
8 T.P.I.



BOTTLE MATERIAL: NATURAL HIGH DENSITY POLYETHYLENE
CAP MATERIAL: NATURAL POLYPROPYLENE

4. APPROX WGT: BTL, 15.5 ± 0.8 GRAMS; CAP, 3.5 ± 0.3 GRAMS.
3. BOTTLES CALCULATED AVERAGE WALL: .034 [0.86] REF ONLY.
2. MILLIMETER DIMENSIONS ARE FOR REFERENCE ONLY.
1. DIMENSIONS ARE IN INCHES AND [MILLIMETERS].

TITLE 125mL STAR BTL, NM HDPE NAT, 24-410 CAP
CAPACITY 140 ± 4.5 cc OVERFLOW
FINISH M24 SP410 SPL POUR LIP

DATE DRAWN 04/01/09 PROJ#
DRAWN BY B. LLOYD APPROX. WGT. SEE NOTE 3
CHECKED BY TRJ 4/1/09 AUTHORIZED JB 4/1/09

—	CORPORATE NAME CHANGE	07/24/17 EL
B	2011042014234573	05/02/11 BL
A	2009032408243616	4/1/09 BL
REV	E.C.N. #	DATE

DURAN WHEATON KIMBLE
1501 North 10th Street | Millville, NJ 08332-2038 | USA

DWG. No: B- 209047

--- NOTES ---

SCALE: FULL UNLESS NOTED. DO NOT SCALE THIS DRAWING.