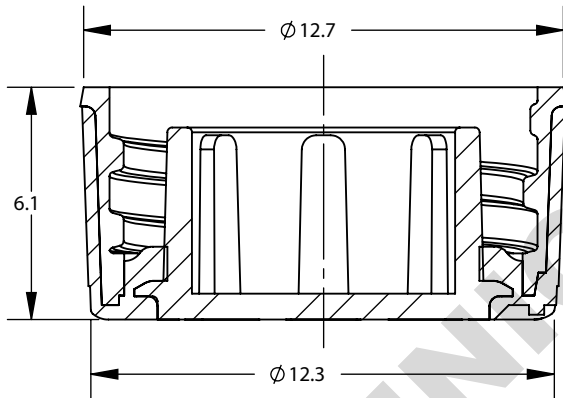
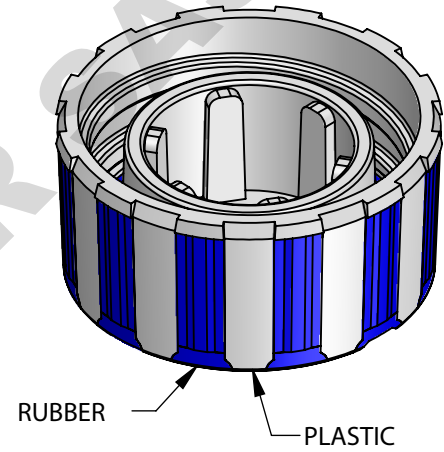
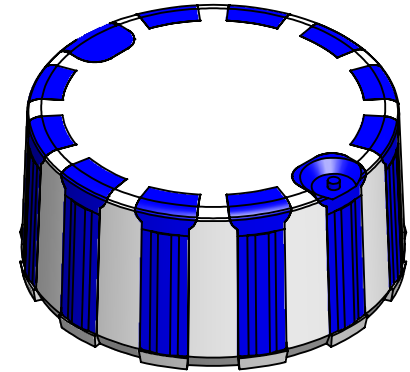



SECTION A-A
SCALE: 5 : 1



SECTION B-B
SCALE: 5 : 1



		CAD GENERATED DRAWING, DO NOT MANUALLY UPDATE		 1310 Thurman Street Lodi CA, 95240 Ph: (209) 333-2120 Fx: (209) 333-8623 info@scientificspecialties.com
		APPROVALS	DATE	
		DRAWN: P. DO	3/21/2018	2005-XX GIPSEAL SCREW CAP
SSI MATERIAL:	CHECKED:			
MANUFACTURER'S MATERIAL:	DESIGN ENG:			
FINISH:	MFG ENG:			
DO NOT SCALE DRAWING		QUAL ENG:		SIZE: SHRINK RATE: A
				SCALE: 1:1 JOB NO.: REV.: REL SHEET: 1 OF 1

PRINTED 3/21/2018