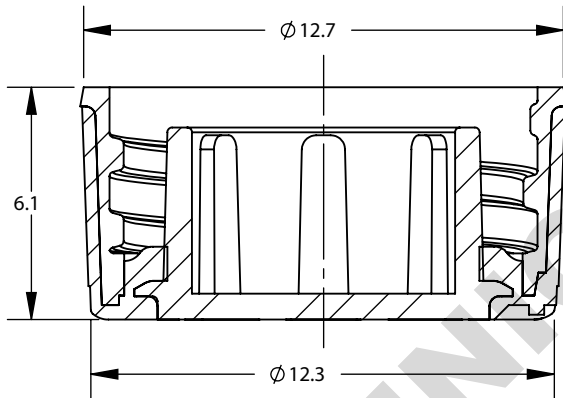
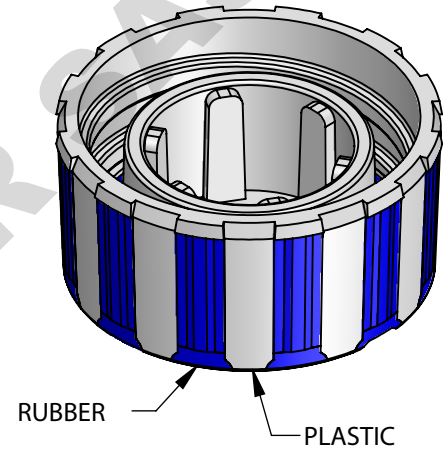
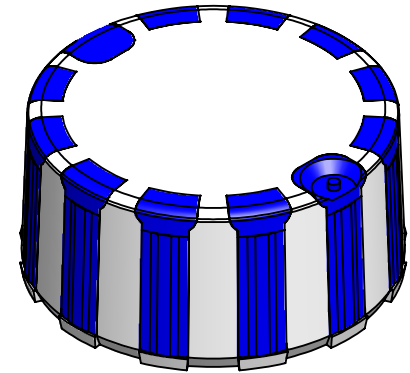



SECTION A-A  
SCALE: 5 : 1



SECTION B-B  
SCALE: 5 : 1



	CAD GENERATED DRAWING, DO NOT MANUALLY UPDATE		 1310 Thurman Street Lodi CA, 95240 Ph: (209) 333-2120 Fx: (209) 333-8623 info@scientificspecialties.com
	APPROVALS	DATE	
	DRAWN: P. DO	3/21/2018	<b>2005-XX</b> <b>GIIPSEAL SCREW CAP</b>
SSI MATERIAL:	CHECKED:		
MANUFACTURER'S MATERIAL:	DESIGN ENG:		
FINISH:	MFG ENG:		
DO NOT SCALE DRAWING	QUAL ENG:		SIZE: SHRINK RATE: <b>A</b>
		SCALE: 1:1	JOB NO.: REV.: REL SHEET: 1 OF 1

PRINTED 3/21/2018