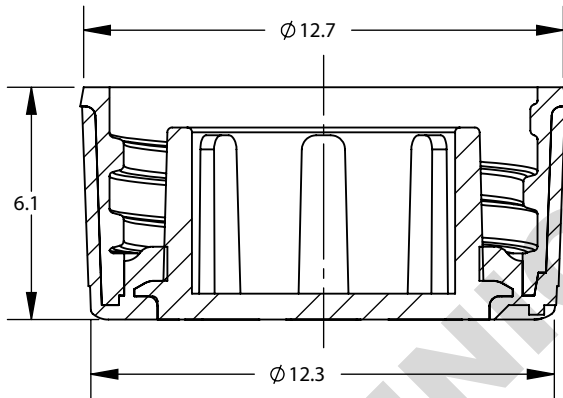
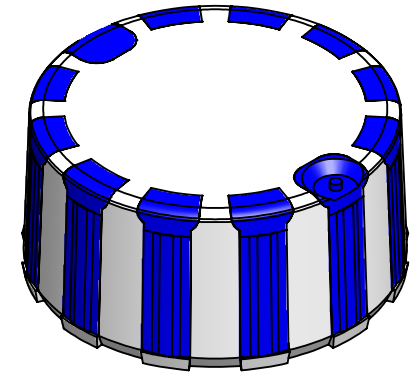
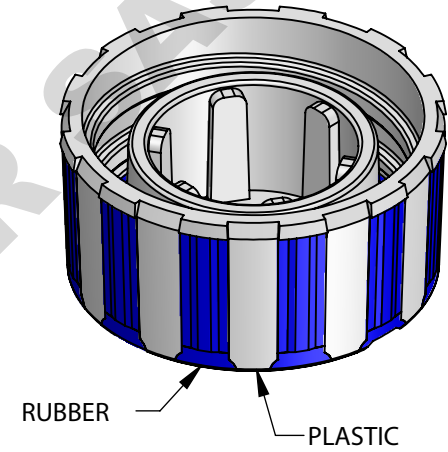



SECTION A-A  
SCALE: 5 : 1



SECTION B-B  
SCALE: 5 : 1

	CAD GENERATED DRAWING, DO NOT MANUALLY UPDATE		 <b>SSI</b> 1310 Thurman Street Lodi CA, 95240 Ph: (209) 333-2120 Fx: (209) 333-8623 info@scientificspecialties.com	
	APPROVALS	DATE		
	DRAWN: P. DO	3/21/2018	<b>2005-XX</b> <b>GIIPSEAL SCREW CAP</b>	
SSI MATERIAL:	CHECKED:			
MANUFACTURER'S MATERIAL:	DESIGN ENG:			
FINISH:	MFG ENG:			
DO NOT SCALE DRAWING	QUAL ENG:		SIZE: SHRINK RATE: <b>A</b> SCALE: 1:1	REV.: REL
		JOB NO.:	SHEET: 1 OF 1	3/21/2018 PRINTED