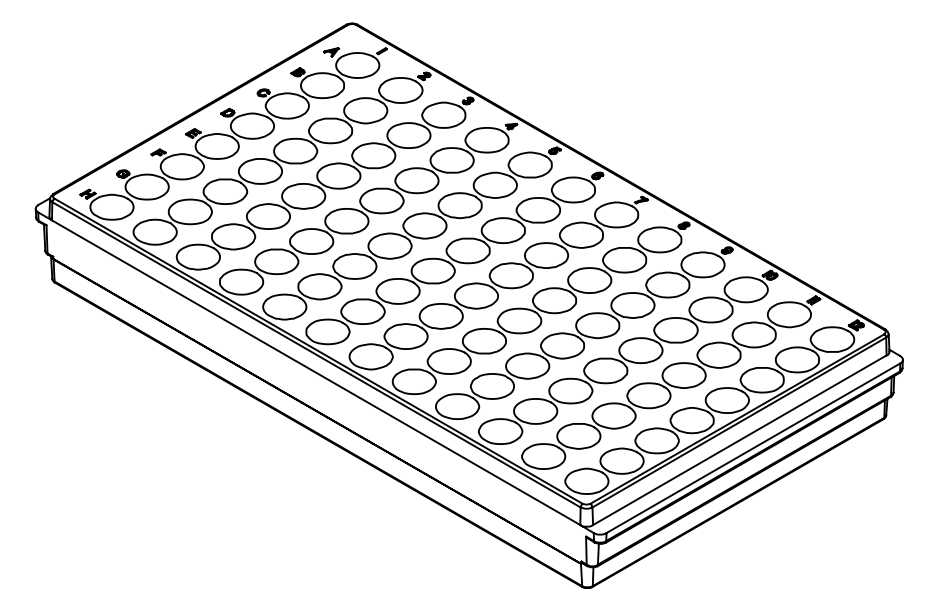
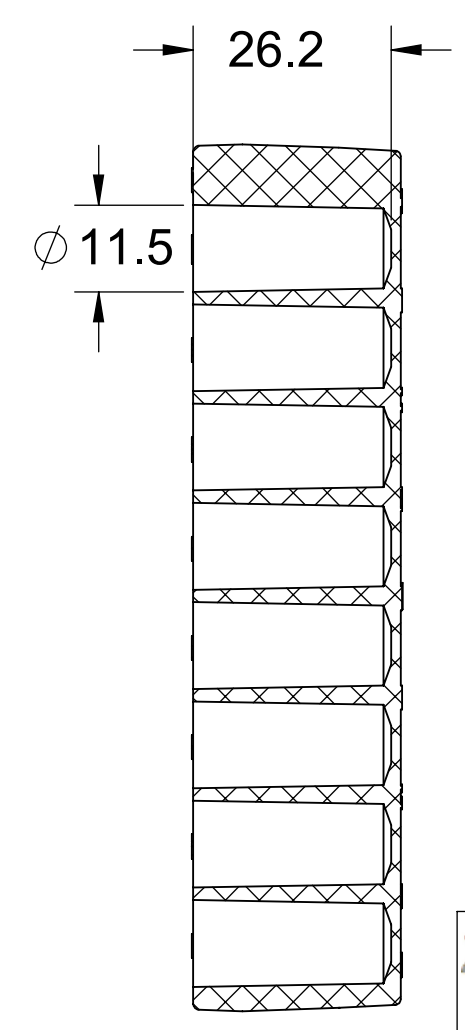
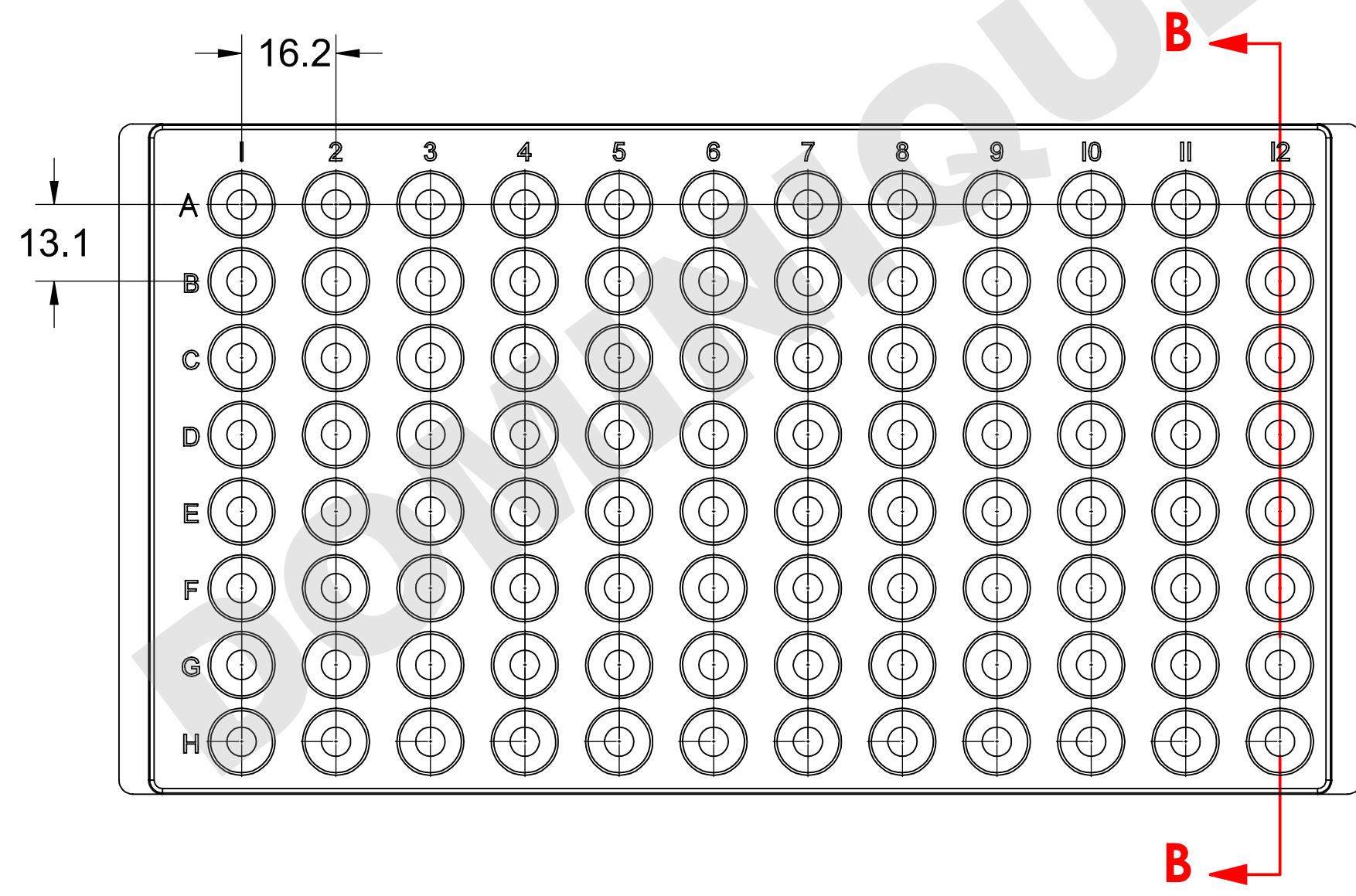
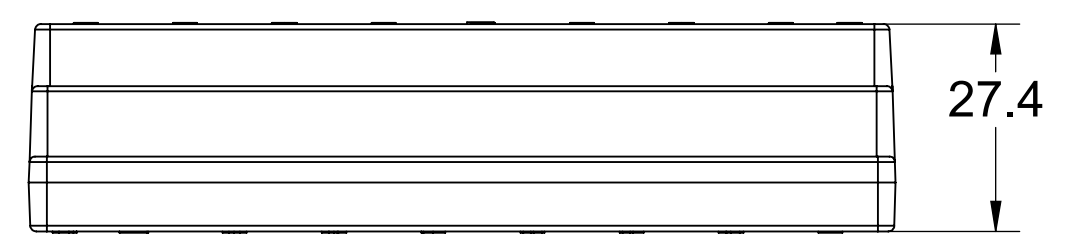
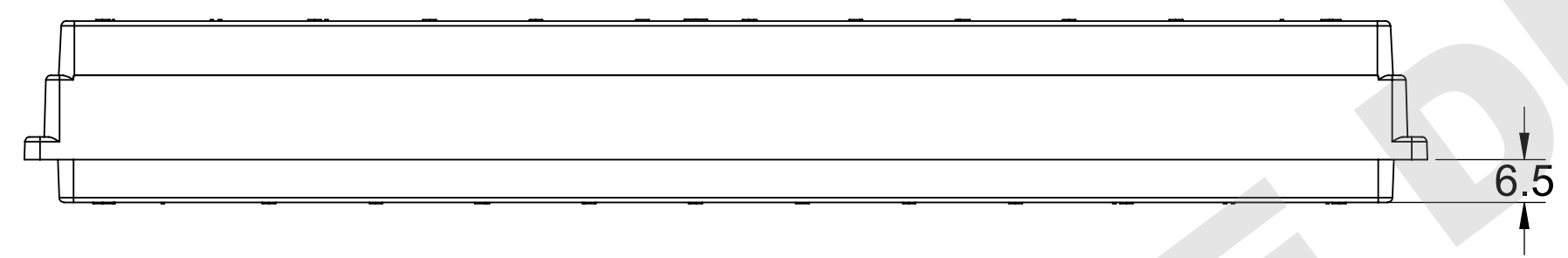
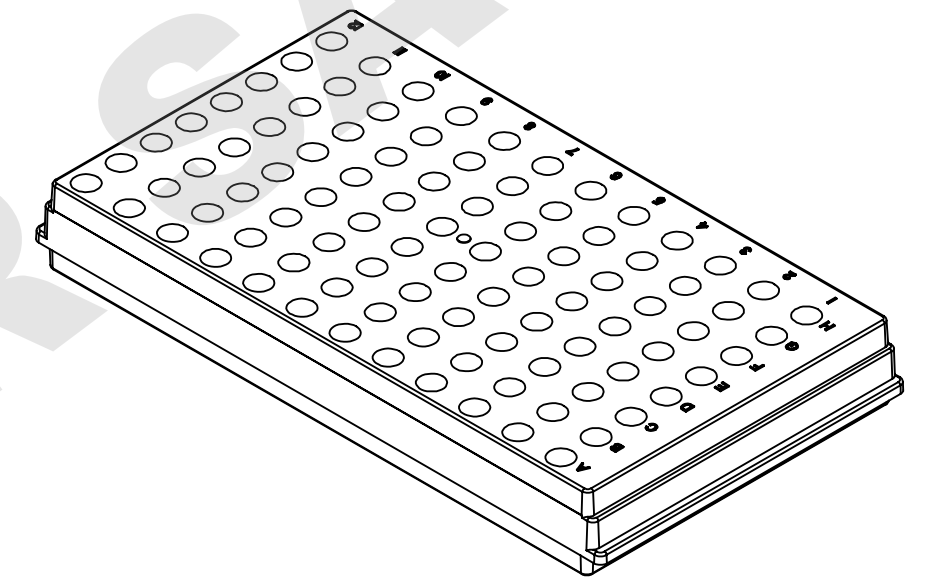
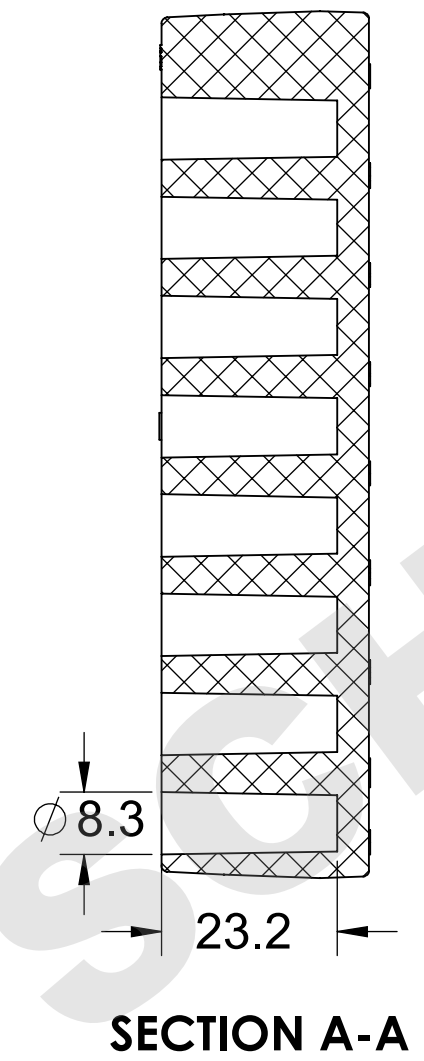
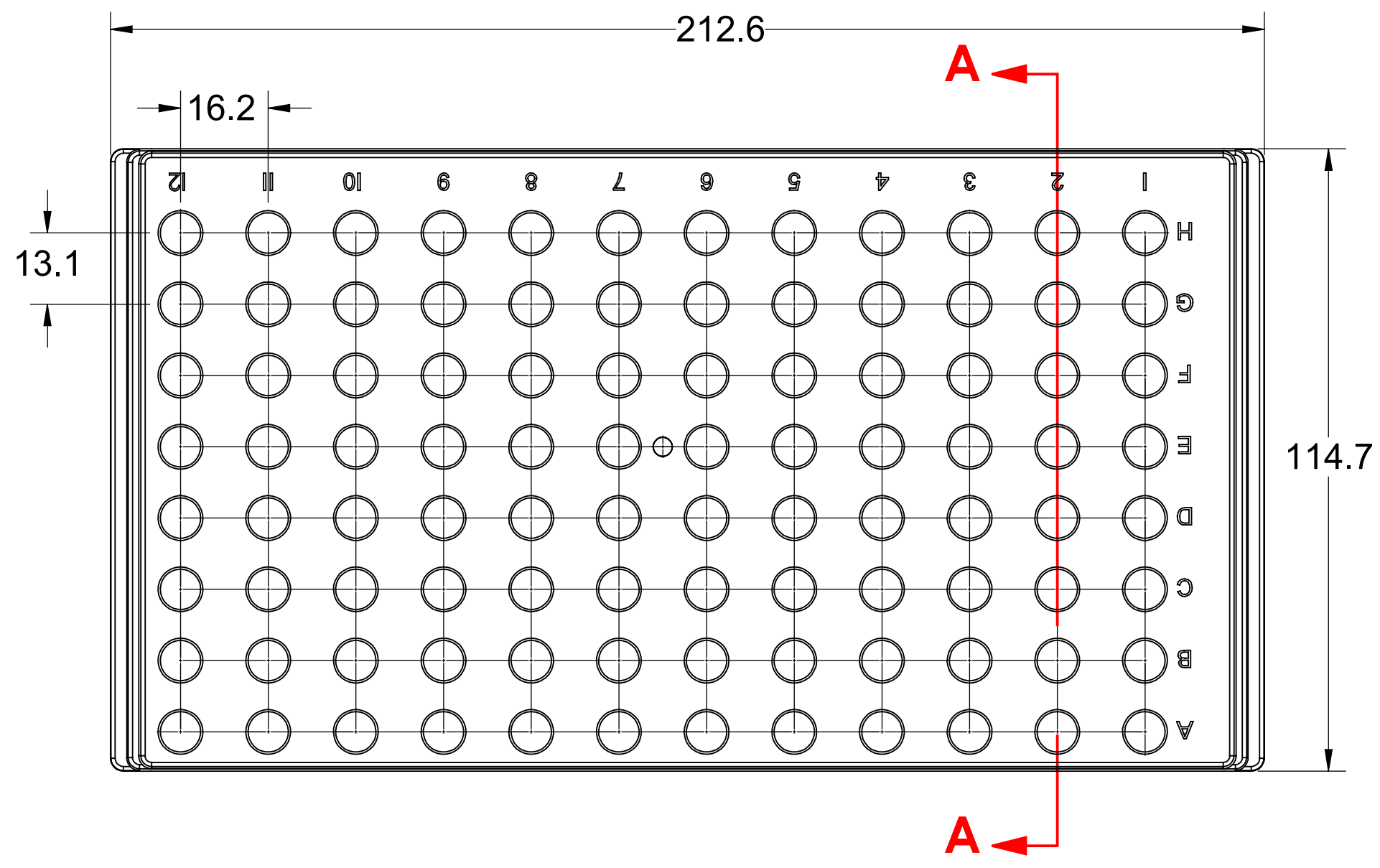


**Copyright Scientific Specialties, Inc.**  
 This drawing and/or any technical information relating to it is issued in strict confidence and may not be reproduced or used for manufacture without written permission. Upon receipt of which it is the user's responsibility to seek confirmation of any dimensions and production tolerances.



**SSI**  
 1310 Thurman Street  
 Lodi CA, 95240  
 Ph: (209) 333-2120  
 Fx: (209) 333-8623  
 info@scientificspecialties.com

TITLE:		<i>RACK, 96 PLACE</i>	
ITEM:	REV.:	DATE:	
<i>5322-00 TR96</i>	<i>REL</i>	<i>8/22/2019</i>	

UNLESS OTHERWISE SPECIFIED  
 DIMENSIONS ARE IN MILLIMETERS