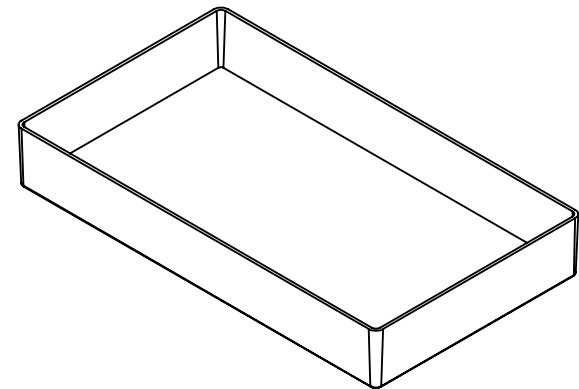


SECTION A-A



UNLESS OTHERWISE SPECIFIED
DIMENSIONS ARE IN INCHES
TOLERANCES ARE:

FRACTIONS	DECIMALS	ANGLES
$\pm 1/64$	$.XX \pm .01$	± 0.1
	$.XXX \pm .001$	
	$.XXXX \pm .0005$	

SSI MATERIAL: --

MANUFACTURERS MATERIAL: --

FINISH: --

DO NOT SCALE DRAWING

CAD GENERATED DRAWING.
DO NOT MANUALLY UPDATE

APPROVALS	DATE
DRAWN S.Gallagher	25FEB13
CHECKED	
RESP ENG	
MFG ENG	
QUAL ENG	



1310 Thurman Street
Lodi CA, 95240
Ph: (209) 333-2120
Fx: (209) 333-8623
info@scientificspecialties.com

5321
96 WELL WORK UP RACK LID

SIZE	SHRINK RATE	REV.
A		
SCALE	JOB NO.	SHEET 2 OF 2