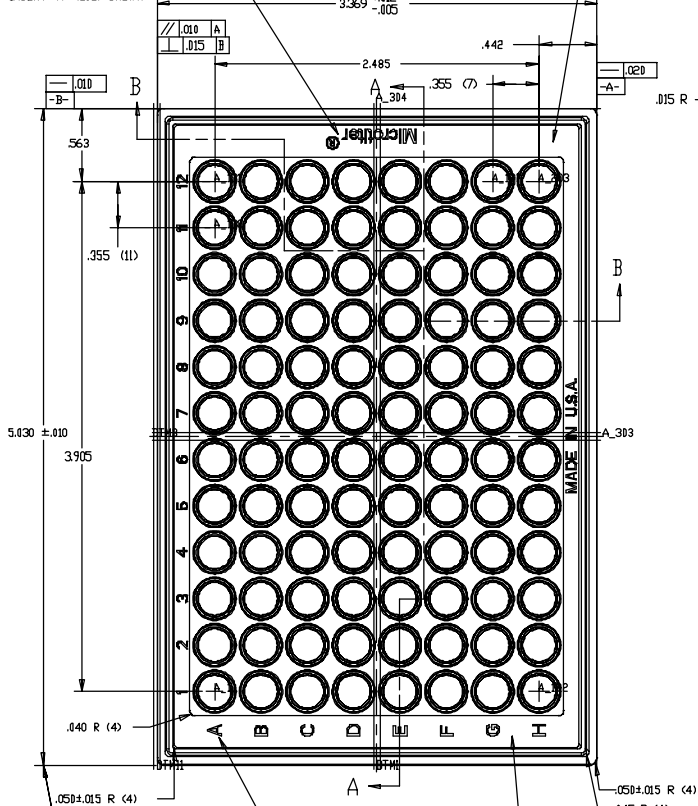
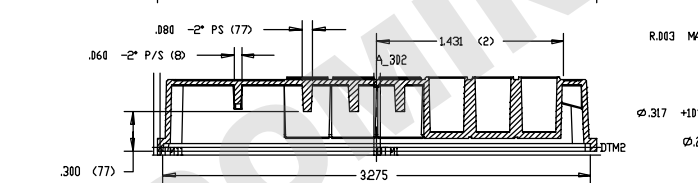


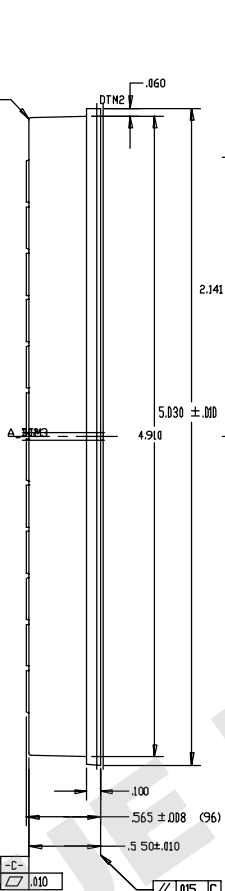
MATERIAL GRADE/ PRODUCT LINE LOGO  
INSERT "A" (202) SHOWN



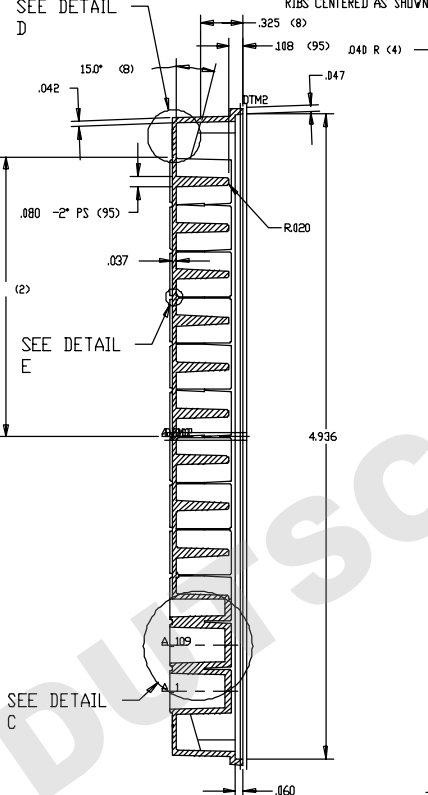
ALL LETTERING TO BE RAISED .005 OFF RECESSED SURFACE. PRO-E FONT, FONT 3D. THIS SURFACE TO BE TEXTURED (EIM FINISH IS ACCEPTABLE) A.302



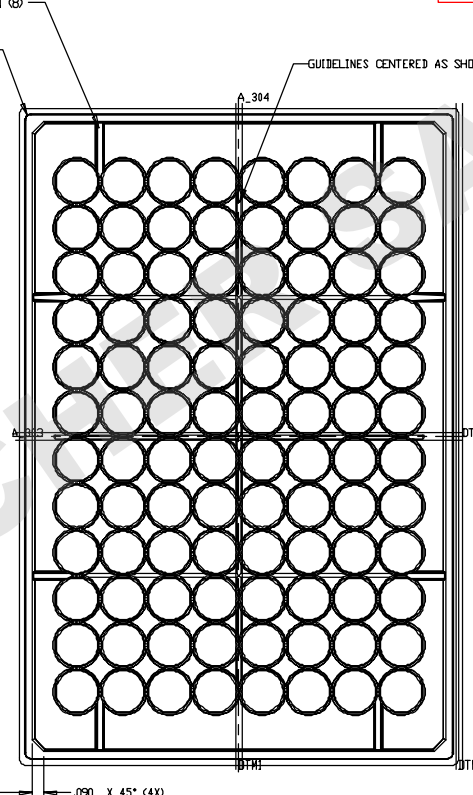
SECTION B-B



SECTION A-A



DETAIL D SCALE 4.000



DETAIL E SCALE 10.000



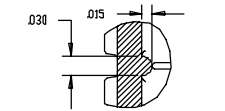
DETAIL INSERT "B" (203) SCALE 2.000



DETAIL INSERT "C" (204) SCALE 2.000



DETAIL INSERT "E" (205) SCALE 2.000



GUIDE LINES (4) PLACES

REVISIONS			
REV	DESCRIPTION	DATE	APPROVED
A	RELEASED	11/10/05	BHL/HR

NOTES:  
1. WELL BOTTOMS SHALL BE COPLANAR WITHIN .001 EACH OTHER.  
2. SPI A-1 FINISH ON INSIDE AND OUTSIDE WELL SURFACES.  
3. SPI A-3 FINISH ON ALL OTHER SURFACES EXCEPT AS NOTED ON TEXTURED SURFACE.

UNLESS OTHERWISE SPECIFIED: DIMENSIONS ARE IN INCHES TOLERANCES: ANGLES XX.XX ±.01 [254] XX.XXX ±.005 [127] DUAL DIMENSION IN 63 SURFACE FINISH	DATE 11/9/05	NAME BHL
DIMENSIONS ARE AFTER FINISH. REMOVE ALL BURRS AND SHARP EDGES.	CHECKED 11/9/05	HR
MATERIAL	THIRD ANGLE PROJECTION	
FINISH SEE NOTES DO NOT SCALE DRAWING		
<small>PROPRIETARY AND CONFIDENTIAL THE INFORMATION CONTAINED IN THIS DRAWING IS THE SOLE PROPERTY OF THERMO ELECTRON. ANY REPRODUCTION IN PART OR AS A WHOLE WITHOUT THE WRITTEN PERMISSION OF THERMO ELECTRON IS PROHIBITED.</small>		

<p><b>Thermo</b> ELECTRON CORPORATION 450 Fortune Blvd, Milford MA 01757</p>			
TITLE: PLATE, DISPOSABLE			
SIZE D	CODE ID. NO. 30988	DRAWING NO. 1112201083	REV. A
SCALE: 1:1	WEIGHT:	SHEET 1 OF 1	