



Modular Vacuum Systems, controlled Vacuum



Chemically-resistant LABOPORT® Vacuum Systems with two Separators

Technical features:

- Maintenance-free
- Silent
- Simple connection to the line power (power plug) and to the pneumatic system
- Environmentally friendly
- Separation of solvent drops in the gas (at the pressure side)
- Collection of particles in the system (at the suction side)
- Easy to expand or convert

SR Systems, modular

The SR vacuum systems are equipped with the LABOPORT-series chemically-resistant diaphragm pump of your choice (refer to the table/overview "modular accessories"). SR systems include two separators. There is a wide range of applications for these vacuum systems in laboratories, whenever clean, constant vacuum is required.

The heart of the very compact LABOPORT pumps used in the vacuum systems is KNF structured diaphragm. This patented diaphragm was stress-optimized using the finite elements method. As a result, we were able to make the pumps smaller while increasing the service life of the diaphragm.

For laboratory applications, there is a wide variety of vacuum pumps with many different performance levels and various modular system components. The systems listed here are fully assembled at the factory. They can be converted quickly and easily; special tools are not required.

**Complete SR vacuum systems with:
Chemically-resistant diaphragm pump of your choice,
base plate, two separators for suction and pressure side
including tubing ready to connect.**

System ³⁾	Delivery (l/min) ¹⁾	Ultimate vacuum (mbar abs)	Operating pressure (bar g)	Motor ~230V/50Hz operating current (A)/ power P ₁ (W) ²⁾	Pneumatic connections for tube ID	Weight (kg)	Dimensions (L x W x H) (mm)	Built in pump type
SR system comprising pump, base plate and two separators								
SR 810	10	8	1	0.6/90	10 mm	9.4	312/227/232	N 810.3 FT.18
SR 820	20	8	1	0.7/120	10 mm	11.6	312/227/252	N 820.3 FT.18
SR 840	34	8	1	1.5/245	10 mm	14.9	334/227/266	N 840.3 FT.18

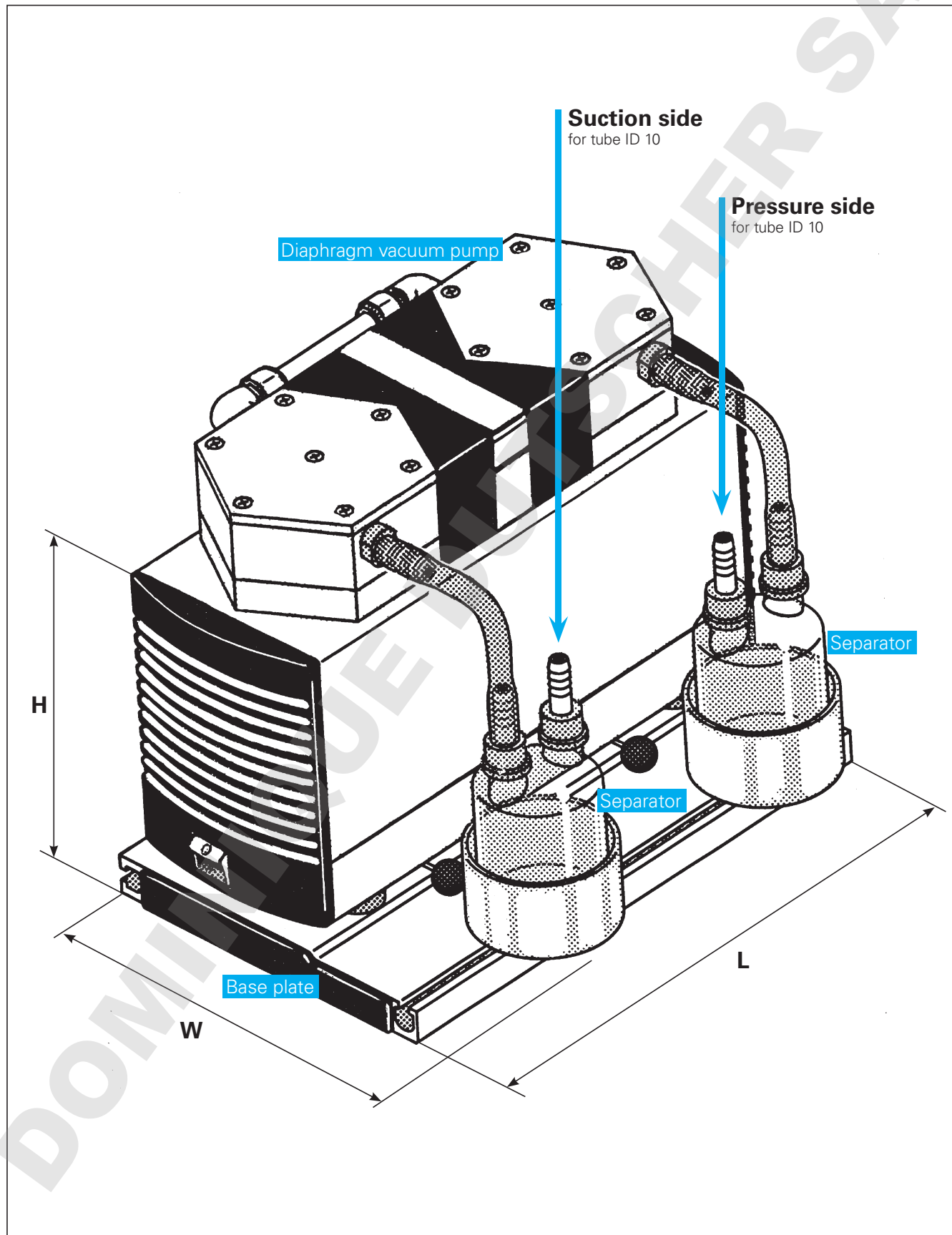
¹⁾ at atm. pressure ²⁾ Motors with other voltages, frequencies on request

³⁾ systems with single head pumps and lower vacuum on request



Modular Vacuum Systems, controlled Vacuum

Dimensions (see table)



SALES CENTERS

Germany

KNF Neuberger GmbH
D-79112 Freiburg
Tel. +49 7664 5909 0
info@knf.de
www.knf.de

Benelux Netherlands

KNF Verder B.V.
NL-3451 GG Vleuten
Tel. +31 30 677 92 40
info@knf-verder.nl
www.knf-verder.nl

Benelux Belgium and Luxemburg

KNF Verder N.V.
B-2630 Aartselaar
Tel. +32 3 871 96 24
info@knf.be
www.knf.be

China

KNF Technology (Shanghai) Co., Ltd.
Shanghai 201203
Tel. +86 21 5109 9695
info@knf.com.cn
www.knf.com.cn

France, Morocco, Tunisia, Algeria

KNF Neuberger SAS
F-68128 Village-Neuf
Tel. +33 389 70 35 00
info@knf.fr
www.knf.fr

UK

KNF Neuberger U.K., Ltd.
Witney, Oxfordshire OX28 4FA
Tel. +44 1993 77 83 73
info@knf.co.uk
www.knf.co.uk

India

KNF Pumps + Systems (India) Pvt. Ltd.
Hinjewadi, Pune 411 057
Tel. +91 20 640 13 923
+91 20 640 08 923
info@knfpumps.in
www.knfpumps.in

Italy

KNF ITALIA S.r.l.
I-20063 Cernusco s. Naviglio MI
Tel. +39 02 272 03 860
info@knf.it
www.knf.it

Japan

KNF Japan Co.Ltd.
Tokyo 104-0033
Tel. +81 3 3551 7931
info@knf.co.jp
www.knf.co.jp

Korea

KNF Neuberger Ltd.
135-502, Seoul
Tel. +82 2 959 0255
knf@knfkorea.com
www.knfkorea.com

Sweden, Finland, Denmark, Norway

KNF Neuberger AB
SE-11743 Stockholm
Tel. +46 8 744 51 13
info@knf.se
www.knf.se

Switzerland

KNF Neuberger AG
CH-8362 Balterswil
Tel. +41 71 973 99 30
knf@knf.ch
www.knf.ch

Taiwan

KNF Neuberger Ltd.
Taipei City, 11490
Tel. +886 2 2794 1011
knftwn@knftwn.com.tw
www.knftwn.com.tw

USA, Canada

KNF Neuberger, Inc.
Trenton, New Jersey 08691-1810
Tel. +1 609 890 8600
knfusa@knf.com
www.knfusa.com

Latin America

Tel. +1 609 649 1010
gb@knf.com
www.knf.com/es