

VACUUM PUMP SYSTEM SC 920 G

DATA SHEET E 296



Technical features

- Remote-controlled for safe operation from outside closed fume hoods
- Automatic, accurate recognition and monitoring of the boiling point using the integrated ramp function
- High recovery rates even with low boiling point solvents
- Integrated gas ballast valve
- Speed-controlled
- Quiet operation
- Optimized suction capacity
- PPS pump head combined with PTFE-coated diaphragm are ideal for aggressive/corrosive gases and vapors

Technical data

ELECTRICAL PARAMETERS

Flow rate [m ³ /h] at atm. pressure	1.26
Flow rate [l/min] at atm. pressure	21
Ultimate vacuum [mbar abs.]	2.0 < 5.0 with gas ballast valve in use
Nominal voltage [V]	100 – 240
Frequency [Hz]	50 – 60
Power P ₁ [W]	max. 135
Operating current [A]	max. 1.7
With overcurrent protection and main fuse	

MATERIALS

Pump head	PPS
Diaphragm	PTFE-coated
Valves	FFPM
Separators	plastic-coated glass

OTHER DATA

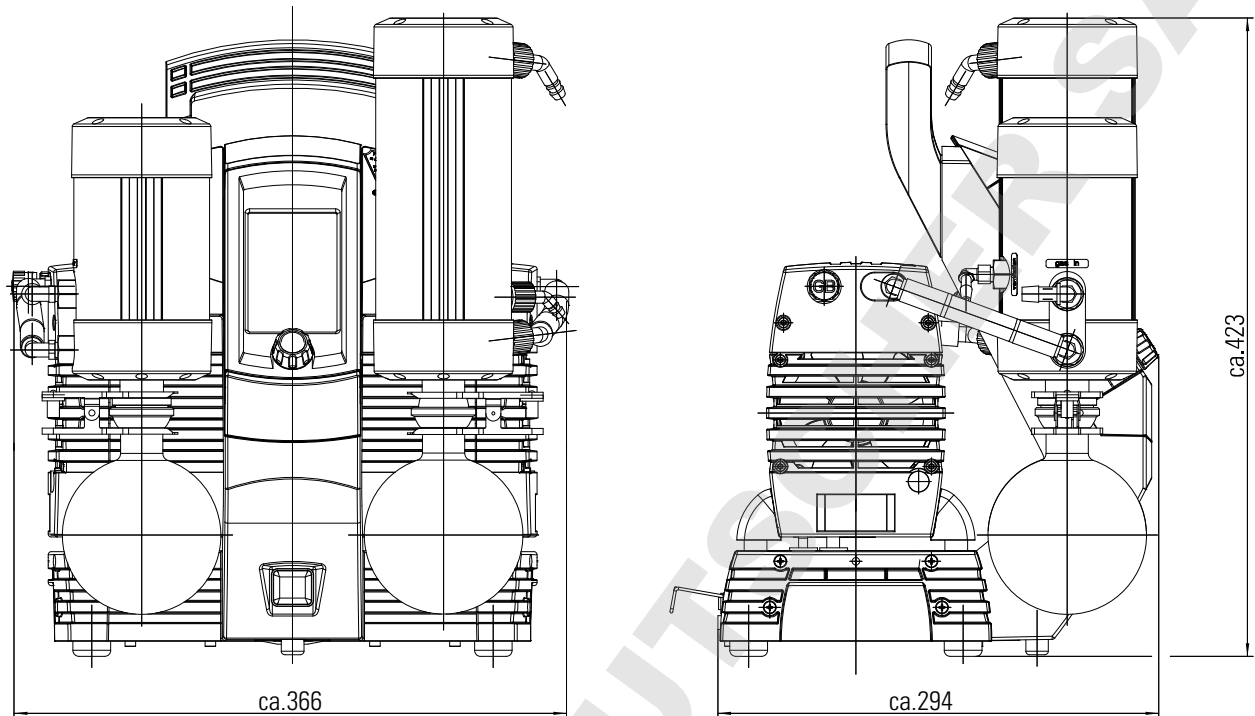
Total weight [kg]	15.2
Hose connections:	
– pneumatic	ID 10
– for coolants	ID 8
– for inert gas	ID 6
Dimensions W x H x D [mm]	366 x 423 x 294
Gas ballast valve	Yes
Size of the separators [ml]	500
USB connection	Mini-USB
Permissible media and ambient temperature [°C]	+5 to +40

REMOTE CONTROL UNIT

Quantity	1
Display	LCD
Wireless range	– About 50 m without obstacles – About 10 m through walls
Power supply	Through integrated batteries or included power supply
Battery service life	Up to 12 hours
Charging time	About 7 hours
Operation	Touchscreen/Control knob

Dimensions

SC 920 G



ACCESSORIES	ID
Coolant valve – G 1/2, ID 8	117121
Column fixture for remote control unit	120132
Wall fixture for remote control unit	120130
Chemical-resistant protective film for remote control's display	117407

Combination possibilities



SALES CENTERS

Germany

KNF Neuberger GmbH
D-79112 Freiburg
Tel. +49 7664 5909 0
info@knf.de
www.knf.de

Benelux Netherlands

KNF Verder B.V.
NL-3451 GG Vleuten
Tel. +31 30 677 92 40
info@knf-verder.nl
www.knf-verder.nl

Benelux Belgium and Luxemburg

KNF Verder N.V.
B-2630 Aartselaar
Tel. +32 3 871 96 24
info@knf.be
www.knf.be

China

KNF Technology (Shanghai) Co., Ltd.
Shanghai 201203
Tel. +86 21 5109 9695
info@knf.com.cn
www.knf.com.cn

France, Morocco, Tunisia, Algeria

KNF Neuberger SAS
F-68128 Village-Neuf
Tel. +33 389 70 35 00
info@knf.fr
www.knf.fr

UK

KNF Neuberger U.K., Ltd.
Witney, Oxfordshire OX28 4FA
Tel. +44 1993 77 83 73
info@knf.co.uk
www.knf.co.uk

India

KNF Pumps + Systems (India) Pvt. Ltd.
Hinjewadi, Pune 411 057
Tel. +91 20 640 13 923
+91 20 640 08 923
info@knfpumps.in
www.knfpumps.in

Italy

KNF ITALIA S.r.l.
I-20063 Cernusco s. Naviglio MI
Tel. +39 02 272 03 860
info@knf.it
www.knf.it

Japan

KNF Japan Co.Ltd.
Tokyo 104-0033
Tel. +81 3 3551 7931
info@knf.co.jp
www.knf.co.jp

Korea

KNF Neuberger Ltd.
135-502, Seoul
Tel. +82 2 959 0255
knf@knfkorea.com
www.knfkorea.com

Sweden, Finland, Denmark, Norway

KNF Neuberger AB
SE-11743 Stockholm
Tel. +46 8 744 51 13
info@knf.se
www.knf.se

Switzerland

KNF Neuberger AG
CH-8362 Balterswil
Tel. +41 71 973 99 30
knf@knf.ch
www.knf.ch

Taiwan

KNF Neuberger Ltd.
Taipei City, 11490
Tel. +886 2 2794 1011
knftwn@knftwn.com.tw
www.knftwn.com.tw

USA, Canada

KNF Neuberger, Inc.
Trenton, New Jersey 08691-1810
Tel. +1 609 890 8600
knfusa@knf.com
www.knfusa.com

Latin America

Tel. +1 609 649 1010
gb@knf.com
www.knf.com/es