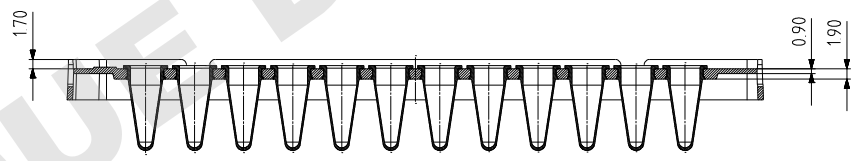
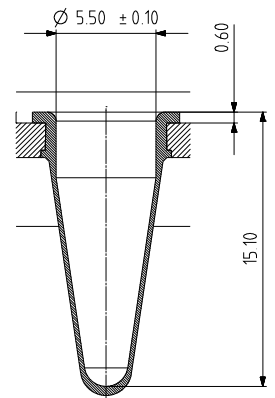
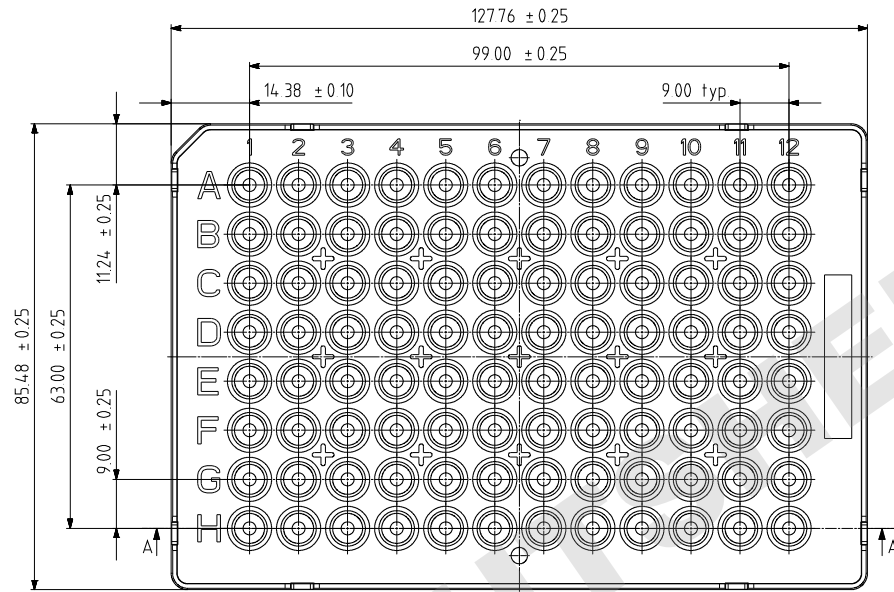
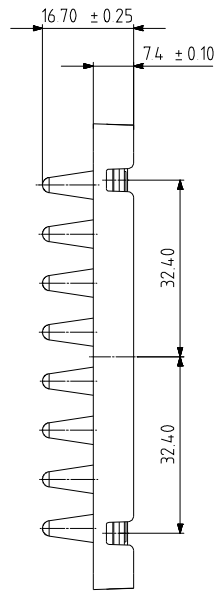
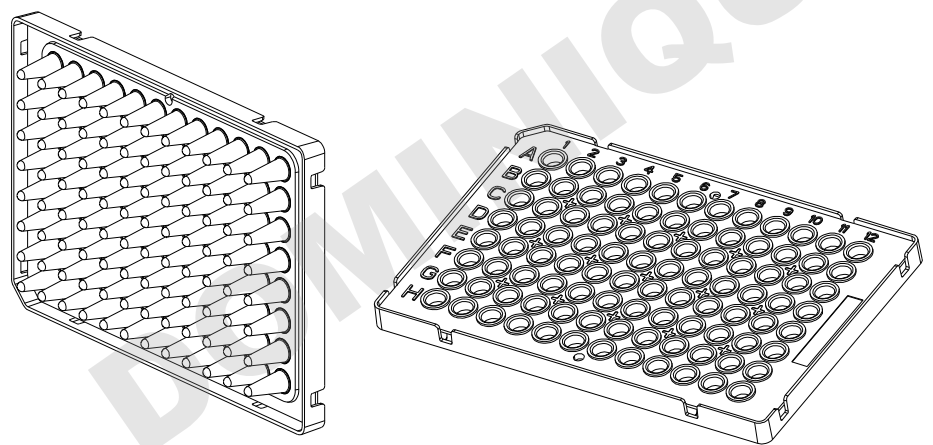


This drawing under any technical information relating to it is based on CAD software and may not be accurate. It is the user's responsibility to verify the accuracy of all dimensions and specifications of any drawings and products furnished.



SECTION A-A

VIAL FORM 96pos
SCALE 1:1



4Ti-0910/C clear frame clear well
4Ti-0911 clear frame white well

REV	DATE	DESCRIPTION	REV	DATE	DESCRIPTION



DO NOT SCALE IF IN DOUBT ASK	CUSTOMER:	DATE:	TITLE:
	CUSTOMER DRG. No.:	09.04.2009	FrameStar 96 Fastplate
GENERAL TOLERANCES UNLESS OTHERWISE STATED	MATERIAL:	CHECKED:	DATE:
		PAUL D.	
TOLERANCES: FRACTIONAL DECIMAL ANGLES ALL DIMENSIONS IN MILLIMETERS	DATE:	SCALE:	DRAWING No.:
			4Ti-0910
			SHEET No.:
			1 OF 1
			ISSUE: A