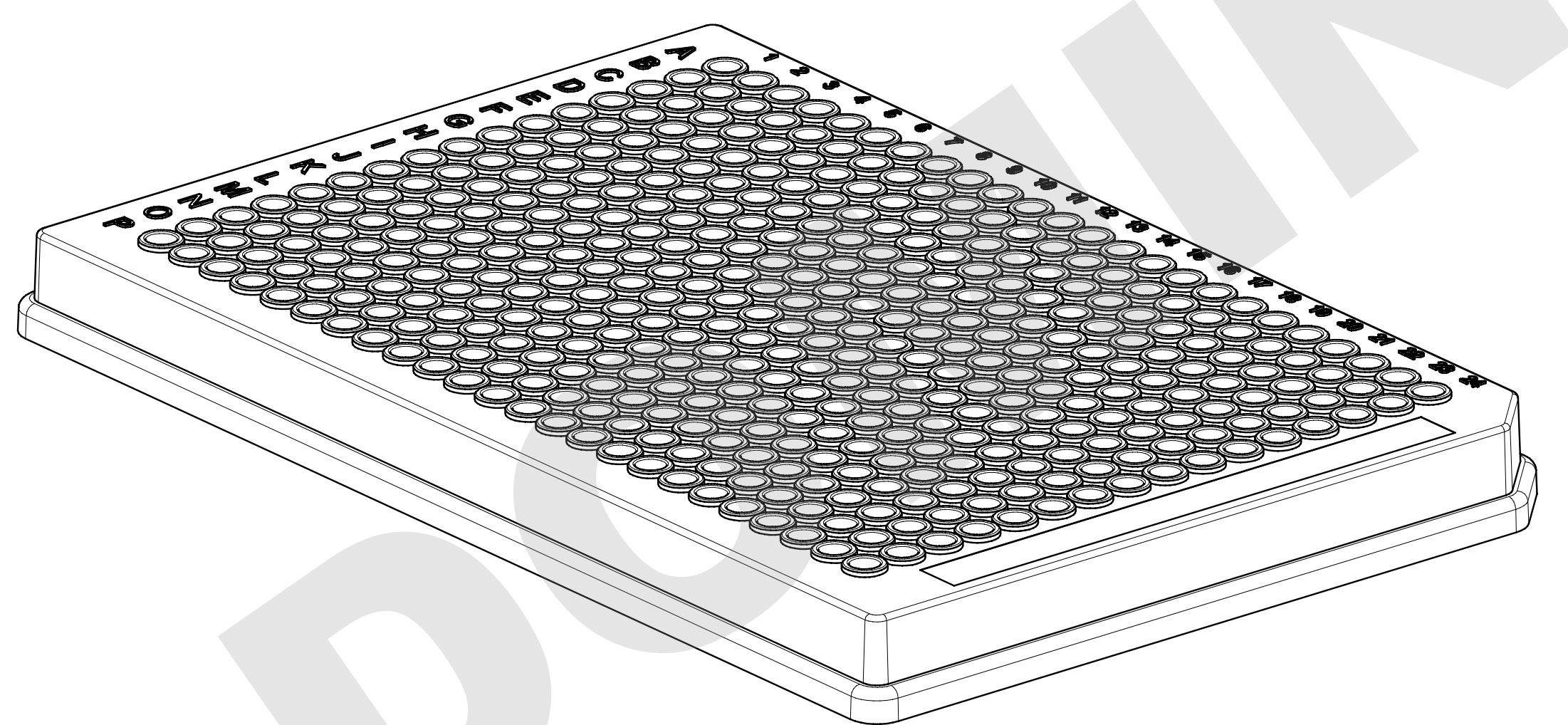
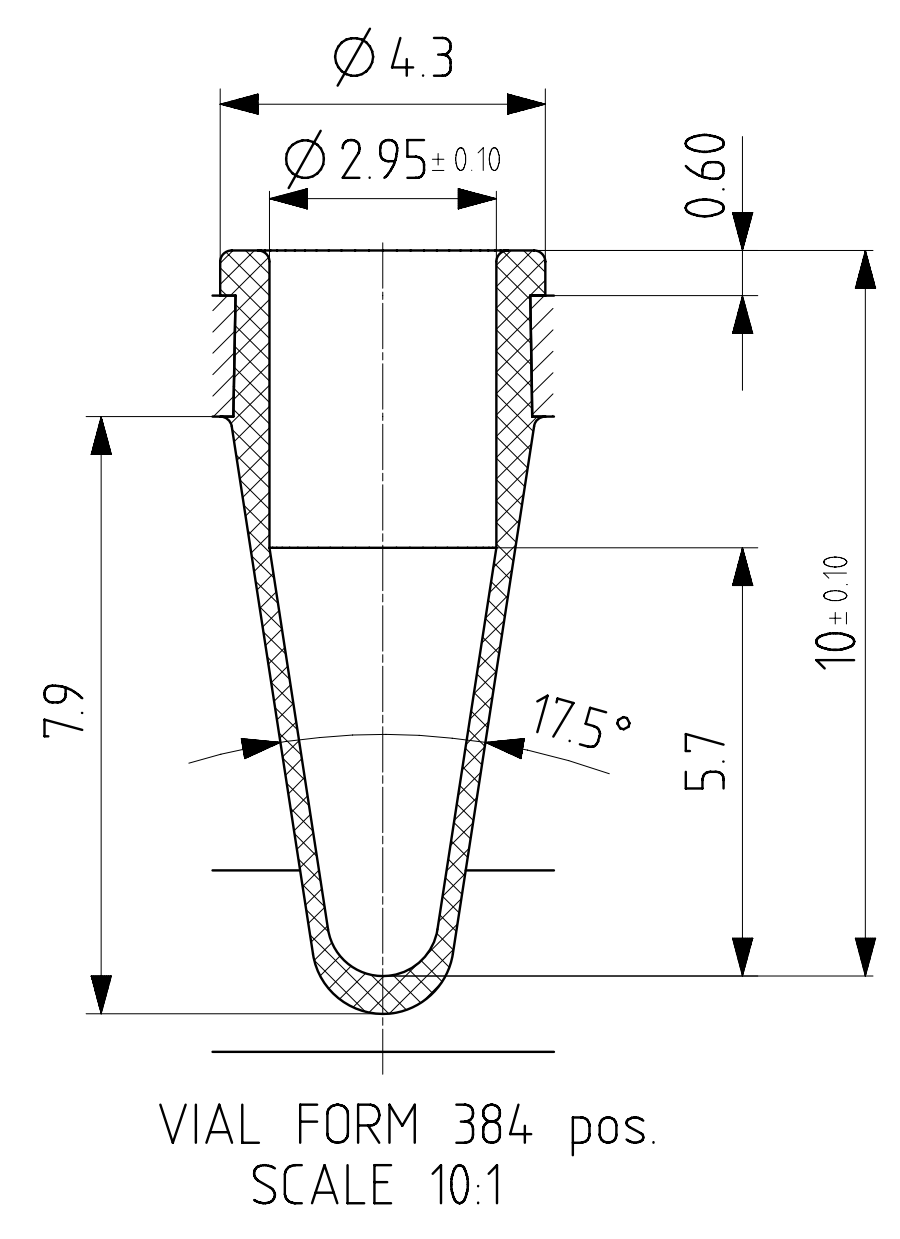
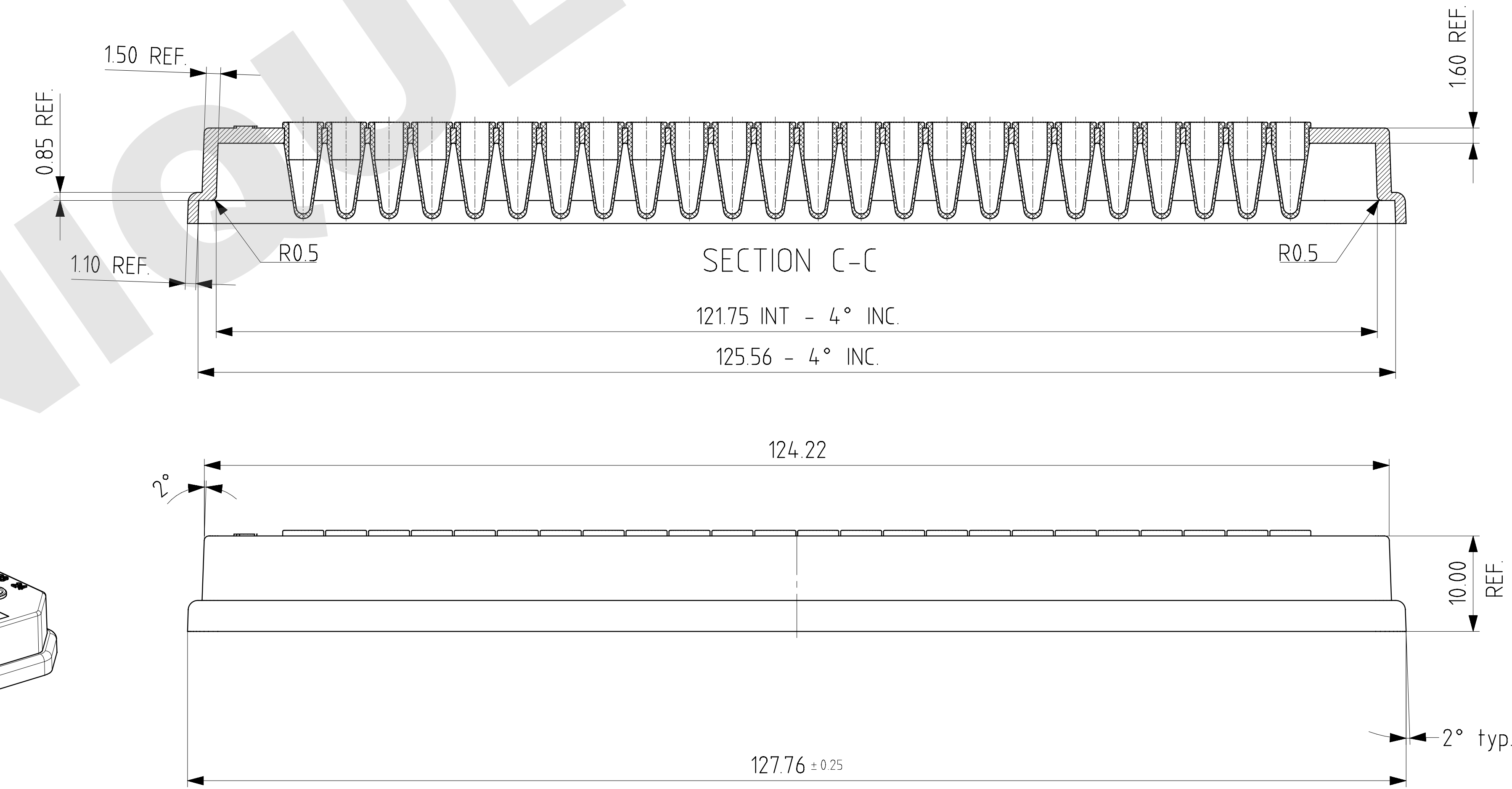
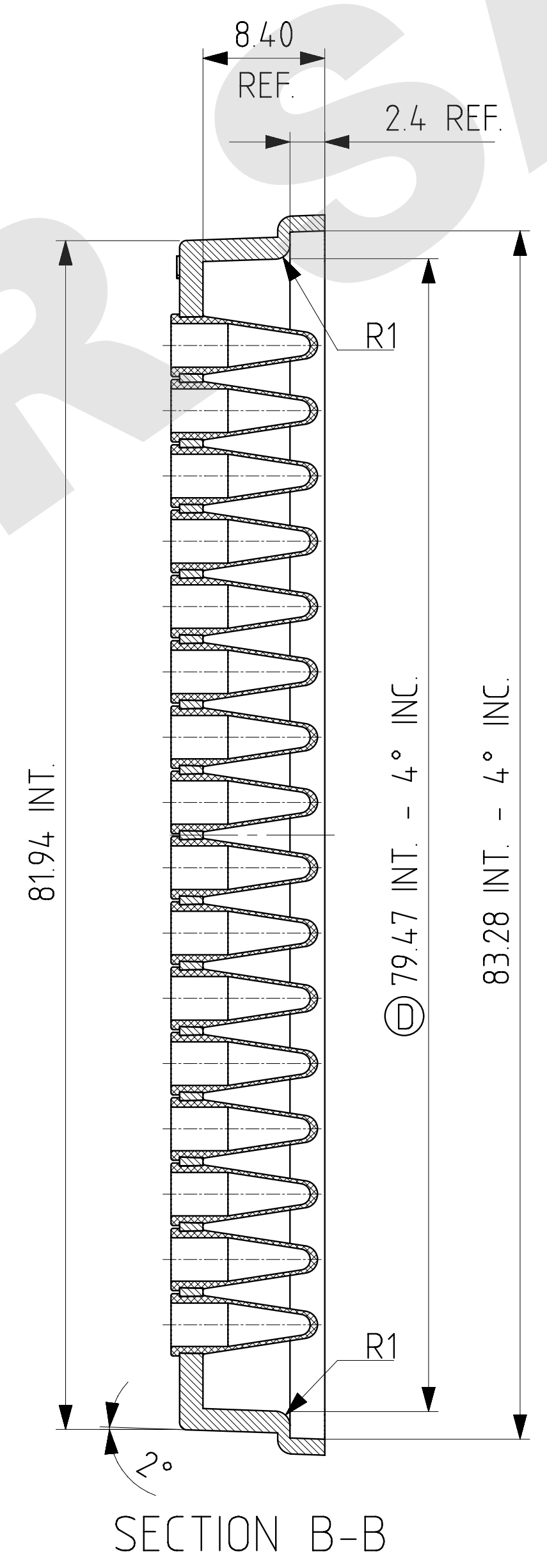
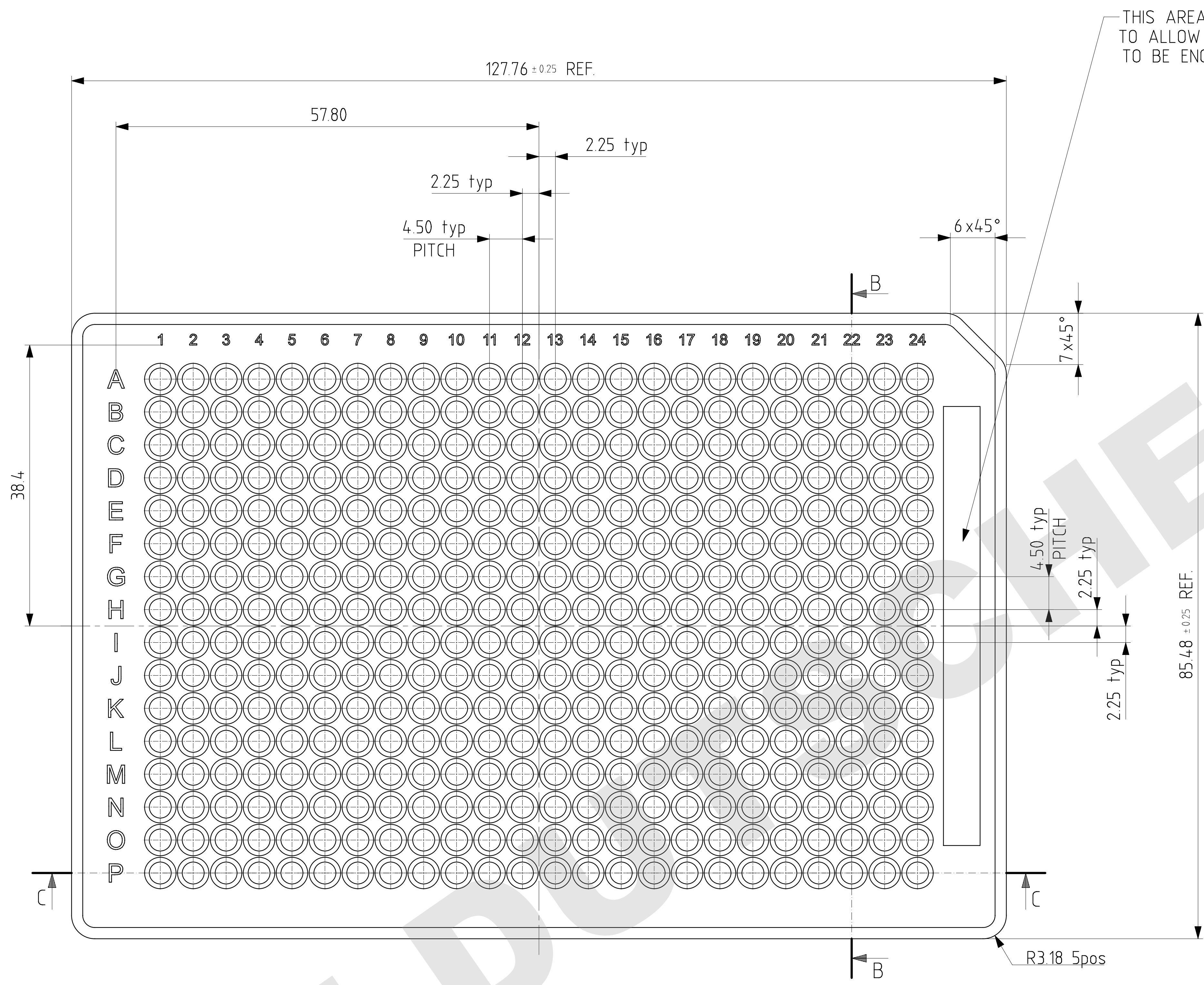
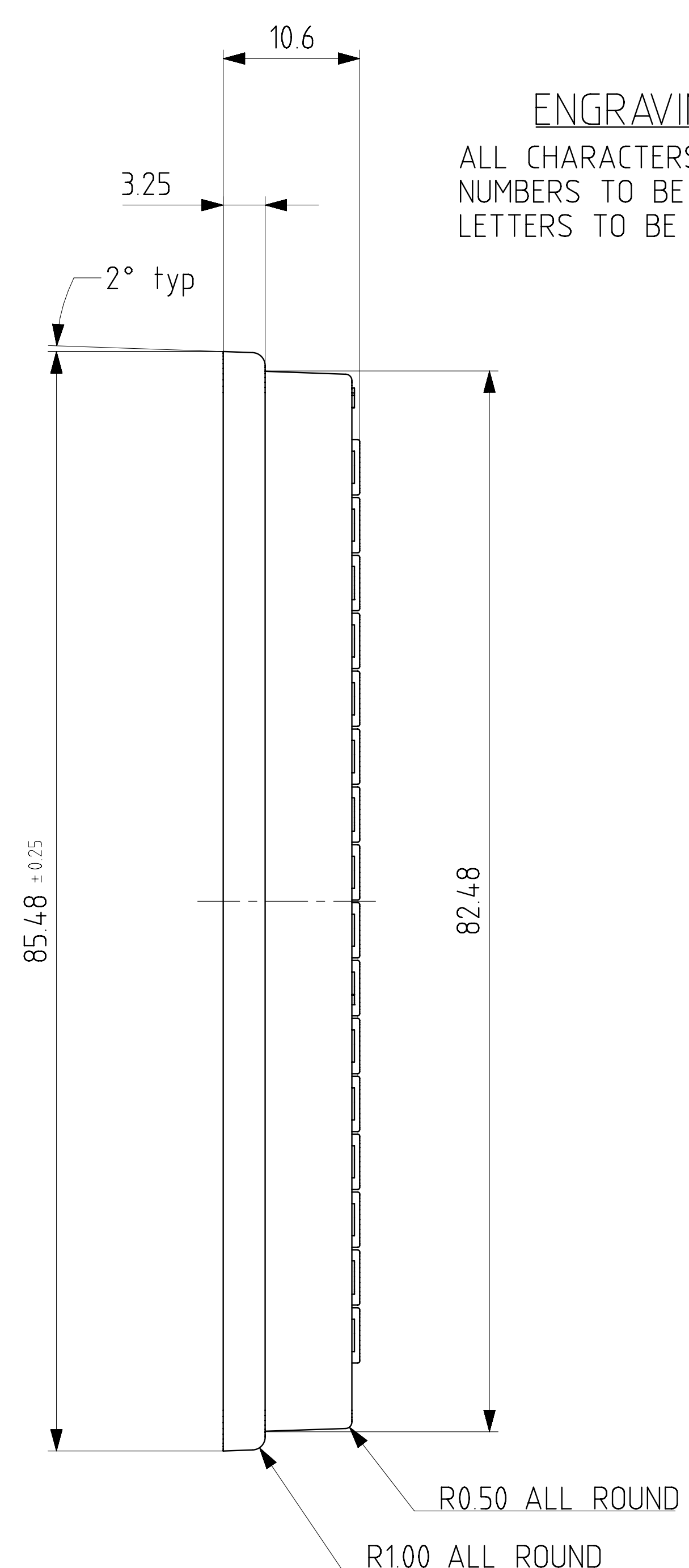


This drawing and/or any technical information relating to it is issued in strict confidence and may not be reproduced or used for manufacture without written permission. Sign reveal of which it is the users responsibility to seek confirmation of any dimensions and production tolerances.



M 2:1

Code	Description	Plates/Case
4ti-0384	FrameStar® 384well PCR plate, clear wells, purple frame	50
4ti-0384/B	FrameStar® 384well PCR plate, clear wells, blue frame	50
4ti-0384/C	FrameStar® 384well PCR plate, clear wells, clear frame	50
4ti-0384/G	FrameStar® 384well PCR plate, clear wells, green frame	50
4ti-0384/R	FrameStar® 384well PCR plate, clear wells, red frame	50
4ti-0384/X	FrameStar® 384well PCR plate, clear wells, black frame	50
4ti-0385	FrameStar® 384well PCR plate, white wells, black frame	50
4ti-0386	FrameStar® 384well PCR plate, black wells, black frame	50

ISSUE	DATE	AMENDMENT	ISSUE	DATE	AMENDMENT



 <b>DO NOT SCALE</b> IF IN DOUBT ASK	CUSTOMER	DRAWN	ZOLTAN E.	TITLE	FrameStar 384
	CUSTOMER DRG No	ISSUE	DATE	14.10.2014	Marketing drawing
	MATERIAL FRAME: Polycarbonate, TUBES: Polypropylene	CHECKED	JAMES B.	DRAWING No	4ti-0384-NF
	TOLERANCES	SCALE	1 OF 1	ISSUE	E