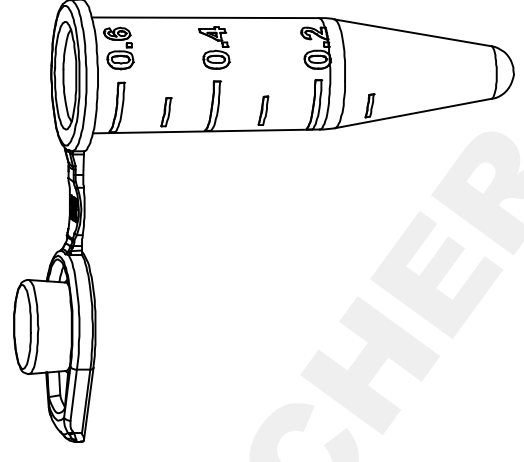
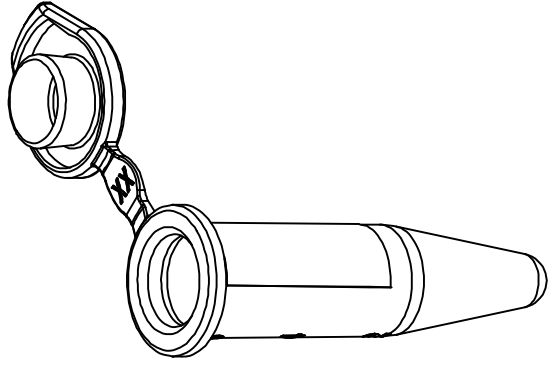


SECTION A-A
SCALE: 2.5 : 1



UNLESS OTHERWISE SPECIFIED DIMENSIONS ARE IN INCHES	CAD GENERATED DRAWING, DO NOT MANUALLY UPDATE	
	APPROVALS	DATE
SSI MATERIAL:	DRAWN: P. DO	7/20/2016
MANUFACTURER'S MATERIAL:	CHECKED:	
FINISH:	RESP ENG:	
DO NOT SCALE DRAWING	MFG ENG:	
	QUAL ENG:	

SSI
1310 Thurman Street
Lodi CA, 95240
Ph: (209) 333-2120
F: (209) 333-8623
info@scientificspecialties.com

1110-XX (STD.)
0.5ml TUBE WITH CAP - GRADUATED

SIZE: SHRINK RATE:	REV:
A	5
SCALE: 1:1	JOB NO.:
	SHEET: 1 OF 1