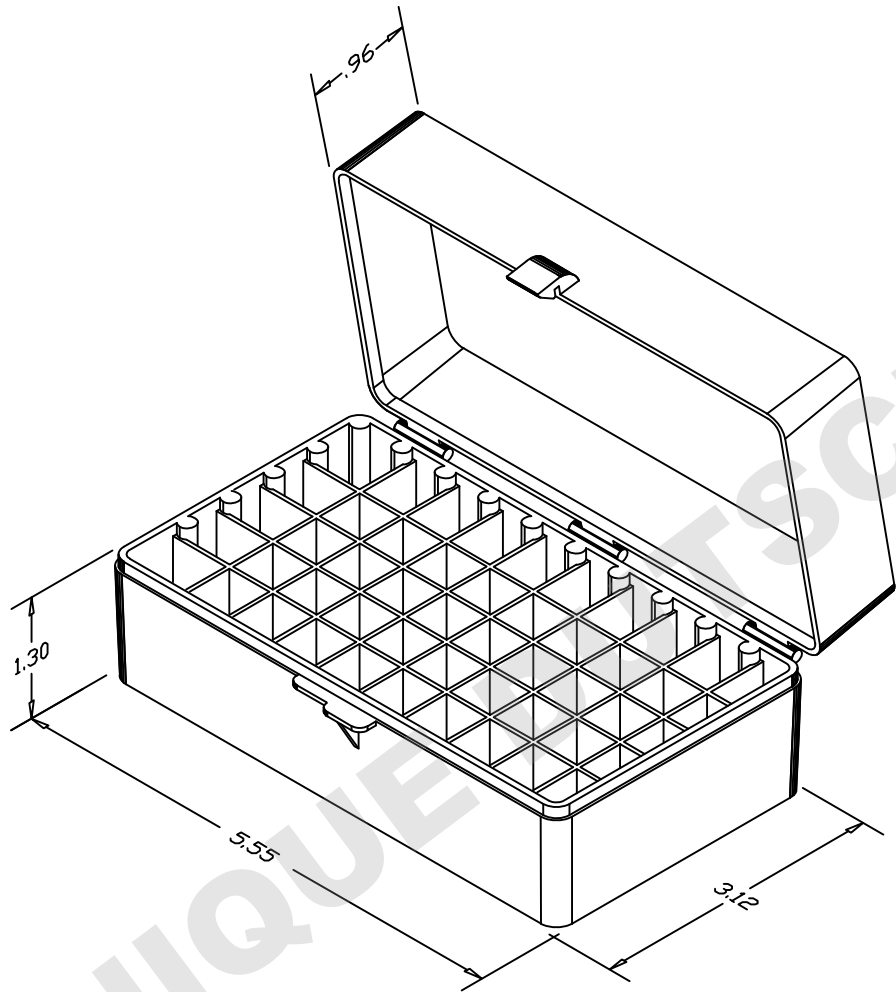


REV.	DESCRIPTION	DATE	DRAWN BY	APPROVED
------	-------------	------	----------	----------



DOMINIQUE FISCHER SAS

UNLESS OTHERWISE SPECIFIED  
 DIMENSIONS ARE IN INCHES  
 TOLERANCES ARE:  
 FRACTIONS ±1/64  
 .XX ± .01  
 .XXX ± .001  
 .XXXX ± .0005  
 DECIMALS  
 ANGLES ± 0.1

CAD GENERATED DRAWING,  
 DO NOT MANUALLY UPDATE

	1310 Thurman Street Lodi CA, 95240 Ph: (209) 333-2120 Fx: (209) 333-8623 info@scientificspecialties.com	
	APPROVALS	DATE

MATERIAL	DRAWN	JWALLS	9-17-09
FINISH	CHECKED		
	RESP ENG		
	MFG ENG		
DO NOT SCALE DRAWING	QUAL ENG		

5510		REV.
SIZE	SHRINK RATE	
A		
SCALE	JOB NO.	SHEET 1 OF 1