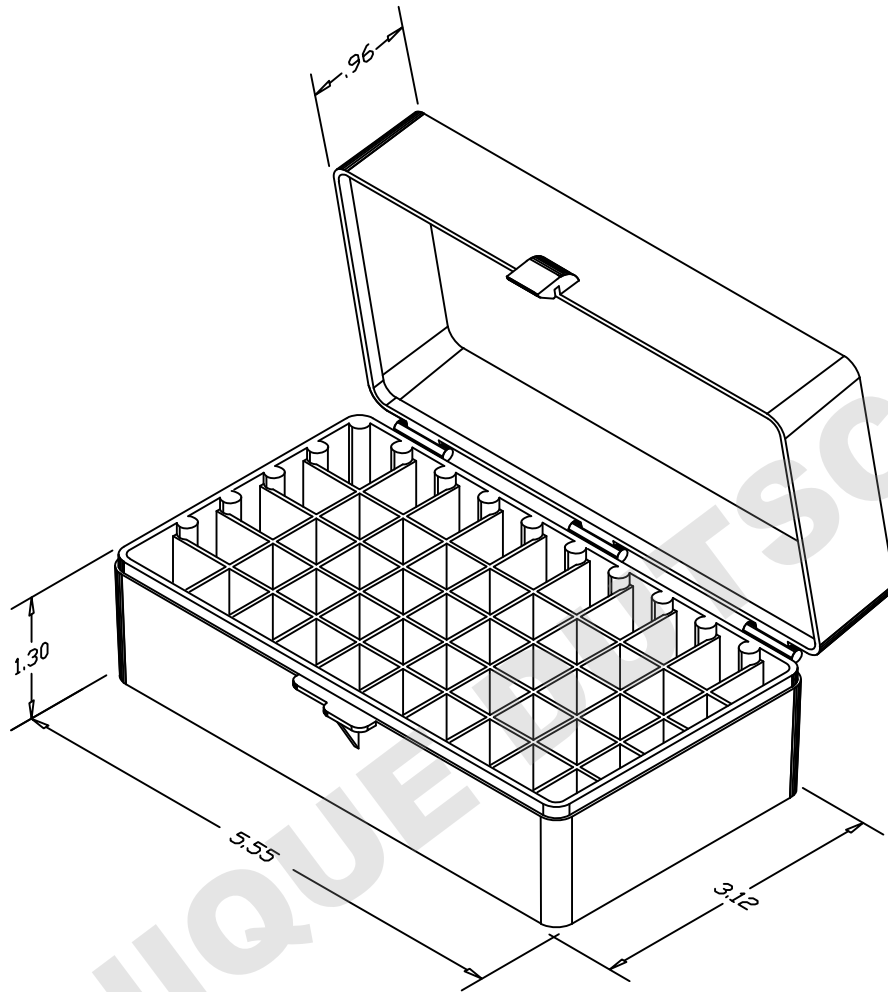



REV.	DESCRIPTION	DATE	DRAWN BY	APPROVED
------	-------------	------	----------	----------



DOMINIQUE FISCHER SAS

UNLESS OTHERWISE SPECIFIED DIMENSIONS ARE IN INCHES TOLERANCES ARE: FRACTIONS    DECIMALS    ANGLES ±1/64        .XX ± .01        ± 0.1 .XXX ± .001 .XXXX ± .0005		CAD GENERATED DRAWING, DO NOT MANUALLY UPDATE		 1310 Thurman Street Lodi CA, 95240 Ph: (209) 333-2120 Fx: (209) 333-8623 info@scientificspecialties.com		
MATERIAL		APPROVALS	DATE	5510		
FINISH		DRAWN <b>JWALLS</b>	9-17-09			
DO NOT SCALE DRAWING		CHECKED				
		RESP ENG				
		MFG ENG		SIZE	SHRINK RATE	REV.
		QUAL ENG		A		
				SCALE	JOB NO.	SHEET 1 OF 1