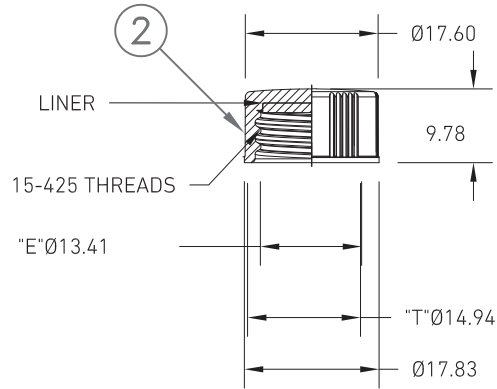
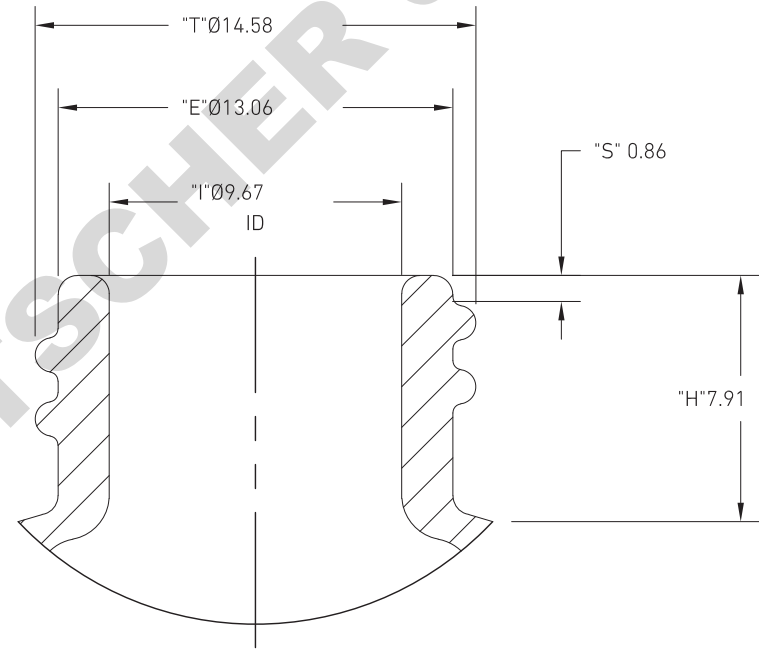
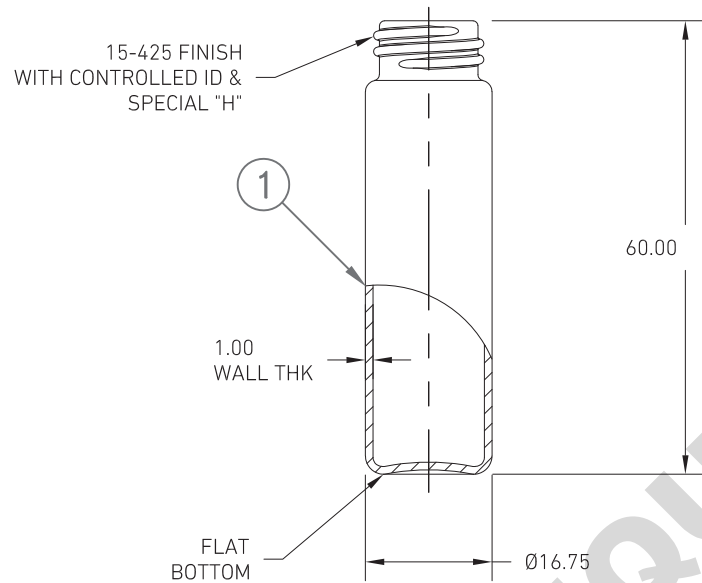


REV	DESCRIPTION OF CHANGE	DRAWN BY	DATE	ECN
-	INITIAL ISSUE	JL		N/A
-	REDRAW ON DWK TEMPLATE AND STDS	EL		N/A



**INFORMATION ONLY**

12/15/21



FINISH DETAIL  
SCALE 4:1

NOTES:

- VIAL DOES NOT REQUIRE THE USP<660> COMPLIANCE.
- LINER MATERIAL: 1.27 THICK 14B WHITE RUBBER. HOT GLUED TO CAP.

ITEM	QTY.	MATERIAL: DESCRIPTION AND SPECIFICATIONS
2	1	CAP MATERIAL: BLACK PHENOLIC WITH LINER - SEE NOTE 2
1	1	VIAL MATERIAL: CLEAR BOROSILICATE GLASS, 33 EXPANSION AS PER ASTM E438 - SEE NOTE 1

THIRD ANGLE PROJECTION

**DURAN WHEATON KIMBLE**

TITLE:		17X60 CLEAR VIAL W/PHEN CAP			
ITEM NUMBER:	60811D-2	DRAWING NUMBER:	60811D-2	DRAWN BY:	JL
SAP NUMBER:		OLD MATERIAL NUMBER:	N/A	SHEET SIZE:	A
				SHEET NUMBER:	1 OF 1
				SHEET SCALE:	1:1

THIS CONFIDENTIAL AND PROPRIETARY DRAWING AND THE INFORMATION IN IT ARE THE EXCLUSIVE PROPERTY OF DWK LIFE SCIENCES. IT IS PROVIDED WITH THE UNDERSTANDING AND INTENTION THAT NOTHING CONTAINED HEREIN WILL BE REPRODUCED OR DISCLOSED TO THIRD PARTIES WITHOUT THE PRIOR EXPRESS WRITTEN CONSENT OF DWK LIFE SCIENCES.

ELECTRONIC OR PAPER COPIES OF THIS PRINT OUTSIDE OF DWK LIFE SCIENCES ARE UNCONTROLLED AND ARE FOR REFERENCE ONLY UNLESS OTHERWISE STAMPED.

TOLERANCES  
DIMENSIONS IN  
MILLIMETERS  
UNLESS SPECIFIED

X ± 2mm  
X.X ± 0.5mm  
X.XX ± 0.15mm