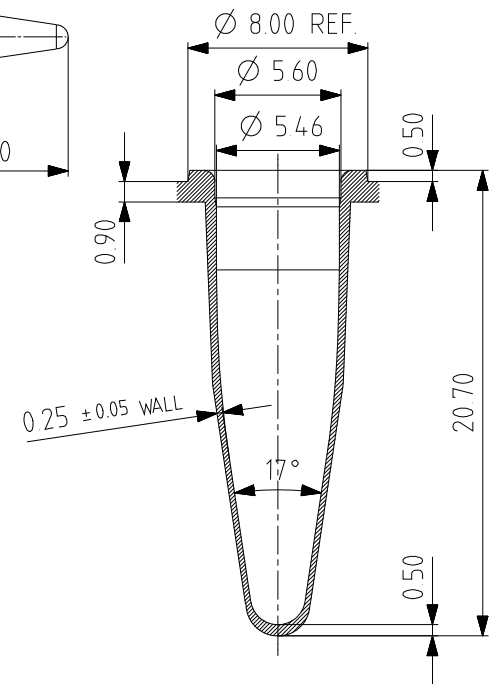
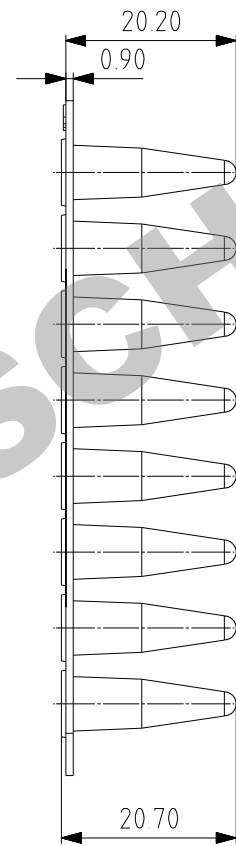


SECTION B-B



DETAIL C  
SCALE 8:1