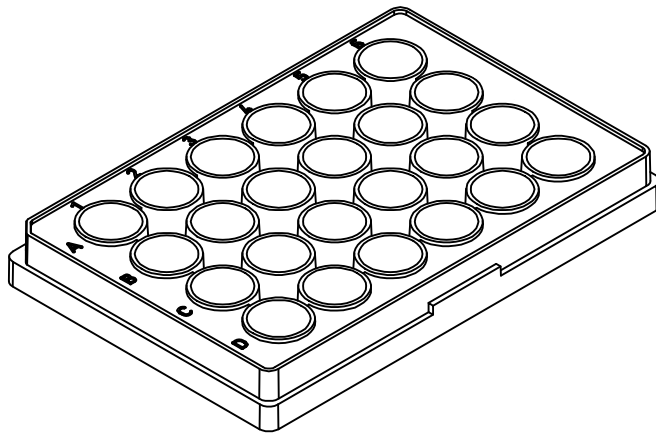
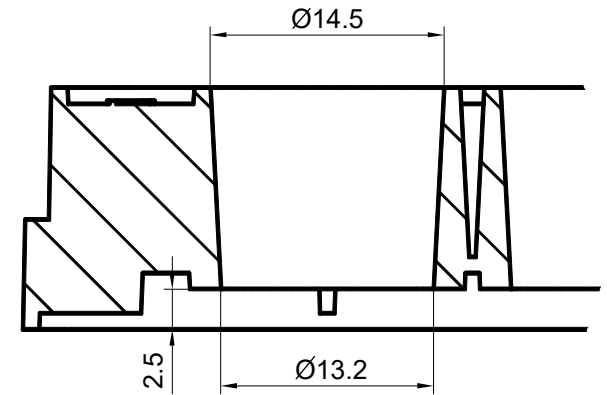
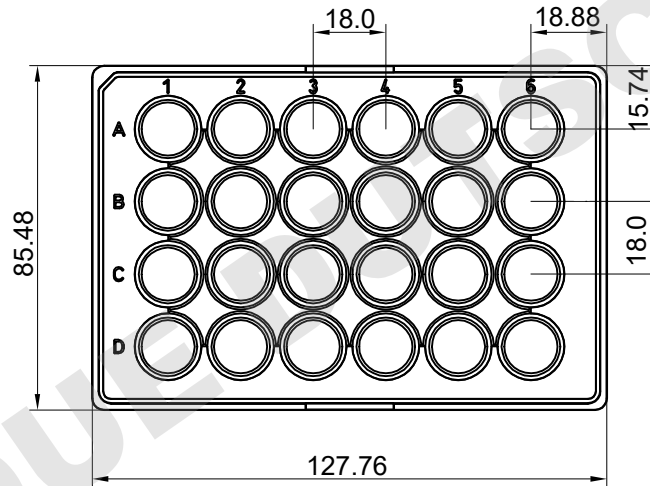
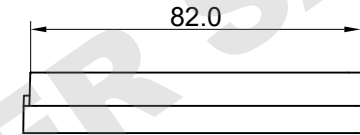
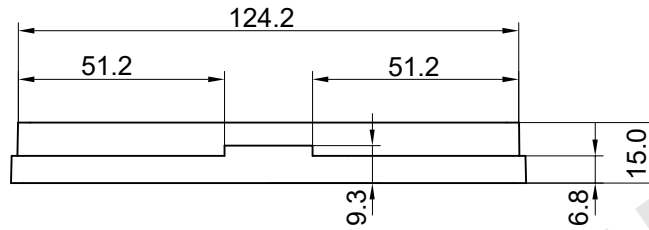


NOT TO SCALE

This drawing and/or any technical information relating to it is issued in strict confidence and may not be reproduced or used for manufacture without written permission. Upon receipt of which it is the users responsibility to seek confirmation of any dimensions and production tolerances.



Material: POLYSTYRENE
Volume: 37.5cm³
Mass: 39.3g



DOMINIQUER SAS



www.4ti.co.uk

TITLE:

IP 24 WELL FRAME

DATE: 05/01/09

SHEET No.: 1 OF 1

ISSUE: A

All dimensions in millimetres