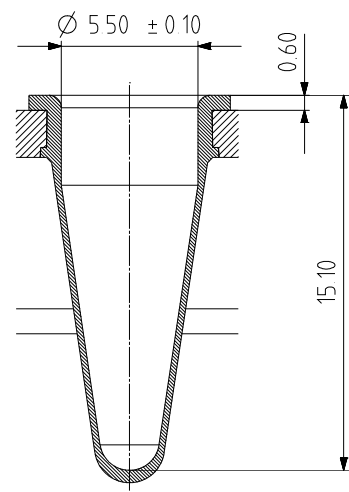


SECTION A-A



VIAL FORM 96pos.
SCALE 10:1

DOMINICAN SCHER