

EZ-Fit™ Filtration Unit

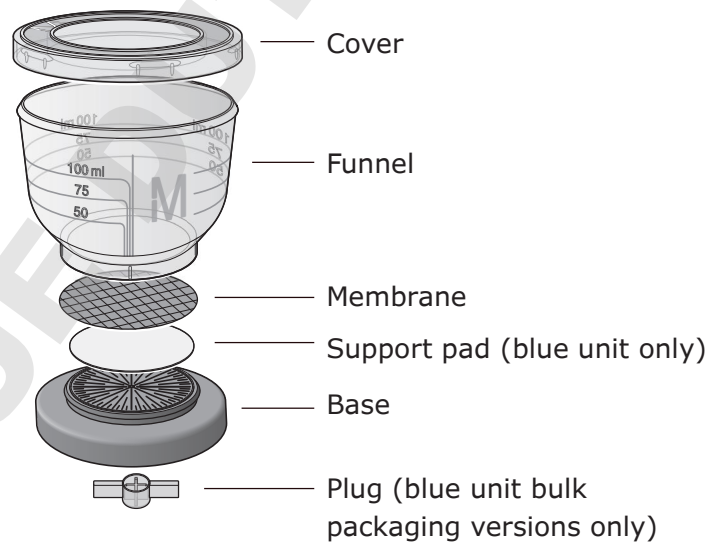
User Guide

Introduction

The EZ-Fit™ Filtration Unit is a disposable filtration device for bioburden testing of liquid samples like water, process samples, or final products. It is designed for optimizing and securing the laboratory workflow to provide time-saving and reliable microbiological results. After the filtration of the sample, the membrane can be transferred and cultured on an agar plate. Alternately, on the blue unit only, liquid media can be added after the filtration, and the device converts into a Petri dish.

This disposable device is designed to fit onto the EZ-Fit™ Manifold, which features specific EZ-Fit™ Filtration heads. It can also fit onto a standard #8 stopper.

The EZ-Fit™ filtration device consists of:

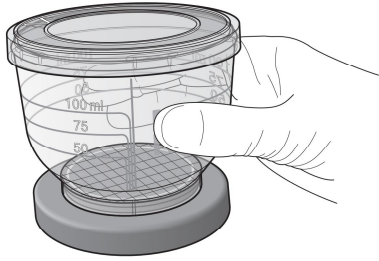


Specifications

Materials of construction	Cover	Polystyrene
	Funnel	Styrene butadiene copolymer
	Membrane	Mixed cellulose esters, PVDF
	Support pad (blue unit versions only)	Cellulose
	Base	Acrylonitrile butadiene styrene
	Plug (blue unit in bulk packaging versions only)	Low-density polyethylene
Dimensions	Height	100 mL: 66.5 mm (2.6 in.)
		250 mL: 108.5 mm (4.3 in.)
	Largest diameter	75.8 mm (3.0 in.)
Filtration surface	12.56 cm ²	
Sterilization method	Blue unit: Ethylene oxide (EO)	Pink unit: Electron beam
Storage conditions	Store in a cool and dry place	
Maximum temperature of the sample	45 °C	

Filtration

1. Remove the device from the packaging by grasping the funnel.



CAUTION

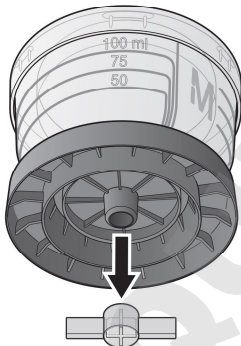
Grasping the cover could result in removing the cover from the funnel.

NOTE

The devices can be stacked.



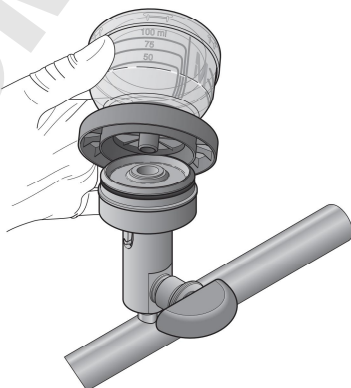
2. Remove the plug from the bottom of the base (blue unit bulk packaging versions only).



NOTE

When culturing using ampoule liquid media, do not discard the plug as it will be used during incubation step.

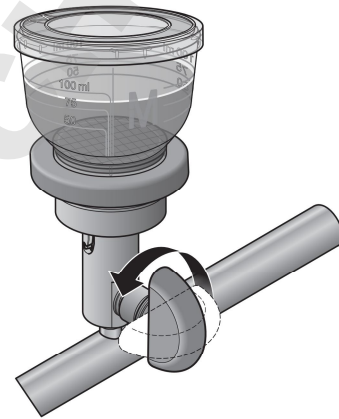
3. Place the device onto the filtration head of the EZ-Fit™ Manifold.



4. Remove the cover and pour the sample into the funnel.



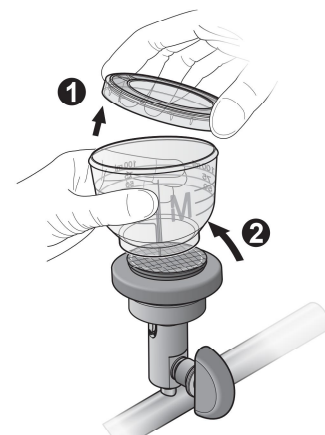
5. Replace the cover.
6. Turn the knob to the upright position to apply vacuum to perform filtration.



Culturing

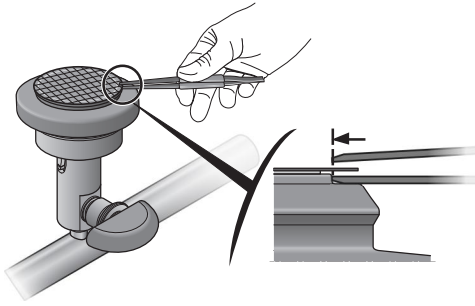
Solid Culture Media

1. Remove the cover from the funnel.
2. Slightly pinch the funnel and remove it as shown here:

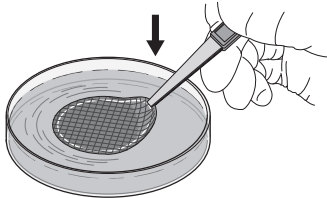


3. Turn the knob to the horizontal position to close the vacuum.

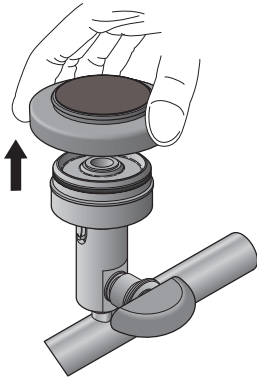
4. Remove the membrane using forceps.



5. Place the membrane into a solid medium..

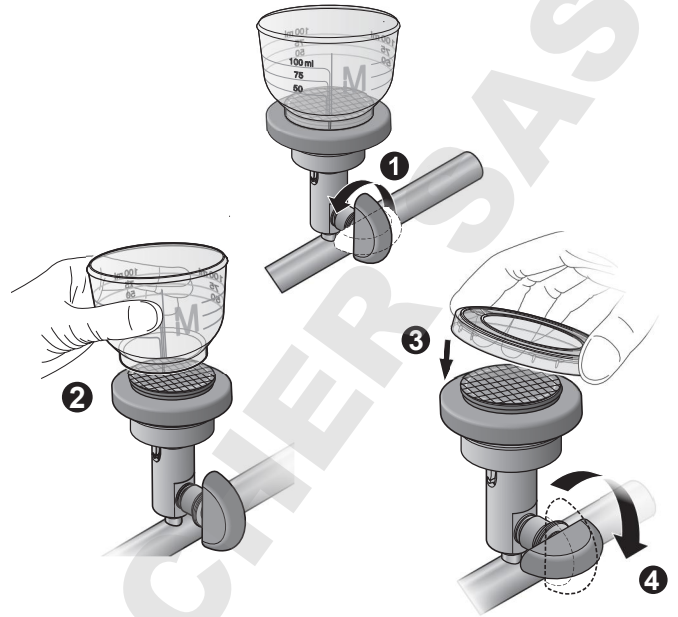


6. Remove the base from the filtration head as shown here:

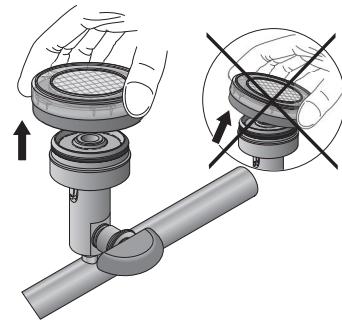


3 Place the cover onto the base.

4 Return the knob to the horizontal position to stop the vacuum.



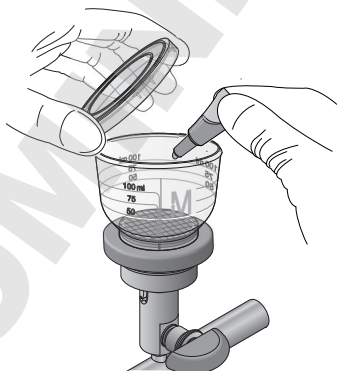
4. Remove the base from the filtration head as shown here:



Ampoule Liquid Media (blue units bulk packaging versions only)

1. Turn the knob to the horizontal position to stop the vacuum.

2. Remove the cover and pour the liquid medium evenly onto the membrane.

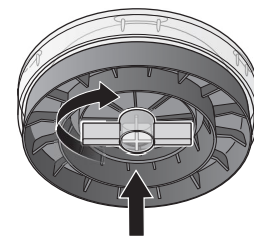


3. Quickly perform the following operations:

1 Turn the knob to the vertical position.

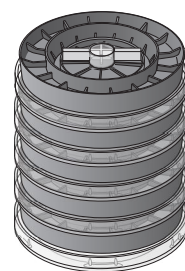
2 Slightly pinch the funnel and remove it.

5. Replace the plug and twist it onto the support.



NOTE

The devices can be stacked in the incubator.



Discarding the product

Refer to the materials of construction of the device for proper disposal/recycling of each component.

NOTE

The funnels can be stacked to reduce waste volume.

Ordering Information

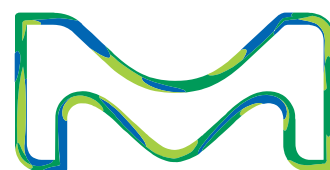
	Description	Packaging / Format	Qty per pack	Catalog Number
PINK base — no pad	EZ-Fit™ Filtration Unit, white plain PVDF membrane, 0.45 µm, 100 mL	Single	48	EFHVV10IS
	EZ-Fit™ Filtration Unit, white gridded MCE membrane, 0.45 µm, 100 mL	Multipack of 4 units		EFHAW10MS
	EZ-Fit™ Filtration Unit, white gridded MCE membrane, 0.45 µm, 250 mL	Bulk with protective bag		EFHAW25BS
	EZ-Fit™ Filtration Unit, black gridded MCE membrane, 0.45 µm, 100 mL	Multipack of 4 units		EFHAB10MS
	EZ-Fit™ Filtration Unit, black gridded MCE membrane, 0.45 µm, 250 mL	Bulk with protective bag		EFHAB25BS
	EZ-Fit™ Filtration Unit, white gridded MCE membrane, 0.22 µm, 100 mL	Multipack of 4 units		EFGSW10MS
	EZ-Fit™ Filtration Unit, white gridded MCE membrane, 0.22 µm, 100 mL	Single		EFGSW10IS
	EZ-Fit™ Filtration Unit, white gridded MCE membrane, 0.8 µm, 100 mL	Bulk with protective bag		EFAAW10BS
	EZ-Fit™ Filtration Unit, white gridded MCE membrane, 0.8 µm, 250 mL	Bulk with protective bag		EFAAW25BS
	EZ-Fit™ Filtration Unit, black gridded MCE membrane, 0.8 µm, 100 mL	Bulk with protective bag		EFAAB10BS
	EZ-Fit™ Filtration Unit, black gridded MCE membrane, 0.8 µm, 250 mL	Bulk with protective bag		EFAAB25BS
	BLUE base — with pad	EZ-Fit™ Filtration Unit, white gridded MCE membrane, 0.45 µm, 100 mL		Bulk
EZ-Fit™ Filtration Unit, white gridded MCE membrane, 0.45 µm, 100 mL		Single	EFHAW100I	
EZ-Fit™ Filtration Unit, white gridded MCE membrane, 0.45 µm, 250 mL		Bulk	EFHAW250B	
EZ-Fit™ Filtration Unit, white gridded MCE membrane, 0.45 µm, 250 mL		Single	EFHAW250I	
EZ-Fit™ Filtration Unit, black gridded MCE membrane, 0.45 µm, 100 mL		Bulk	EFHAB100B	
EZ-Fit™ Filtration Unit, black gridded MCE membrane, 0.45 µm, 100 mL		Single	EFHAB100I	
EZ-Fit™ Filtration Unit, black gridded MCE membrane, 0.45 µm, 250mL		Bulk	EFHAB250B	
EZ-Fit™ Manifold, 1-place for EZ-Fit™ Filtration Units			1	EZFITEFUN1
EZ-Fit™ Manifold, 3-place for EZ-Fit™ Filtration Units				EZFITEFUN3
EZ-Fit™ Manifold, 6-place for EZ-Fit™ Filtration Units				EZFITEFUN6
EZ-Fit™ Filtration head for EZ-Fit™ Filtration Units				EZFITMVHE1
EZ-Fit™ Filtration head for EZ-Fit™ Filtration Units			3	EZFITMVHE3

Standard Product Warranty

The applicable warranty for the products listed in this publication may be found at: www.millipore.com/ec/cp3/terms (within the "Terms and Conditions of Sale" applicable to your purchase transaction).

Technical Assistance

For more information: In the U.S., call 1-800-MILLIPORE (1-800-645-5476), or visit www.millipore.com/techservice.



The M mark is a registered trademark and EZ-Fit is a trademark of Merck KGaA, Darmstadt, Germany.
 © 2016 Merck KGaA, Darmstadt, Germany. All rights reserved.
 Literature Number: PF16412 Rev 3.0 09/2016