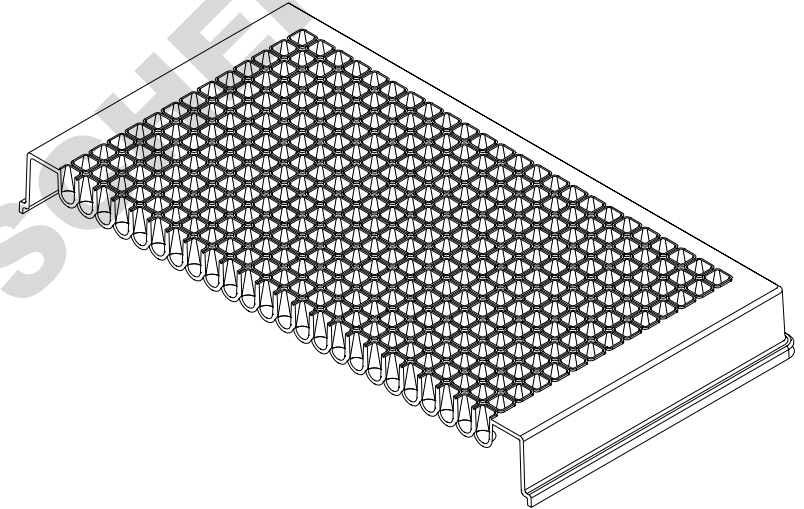
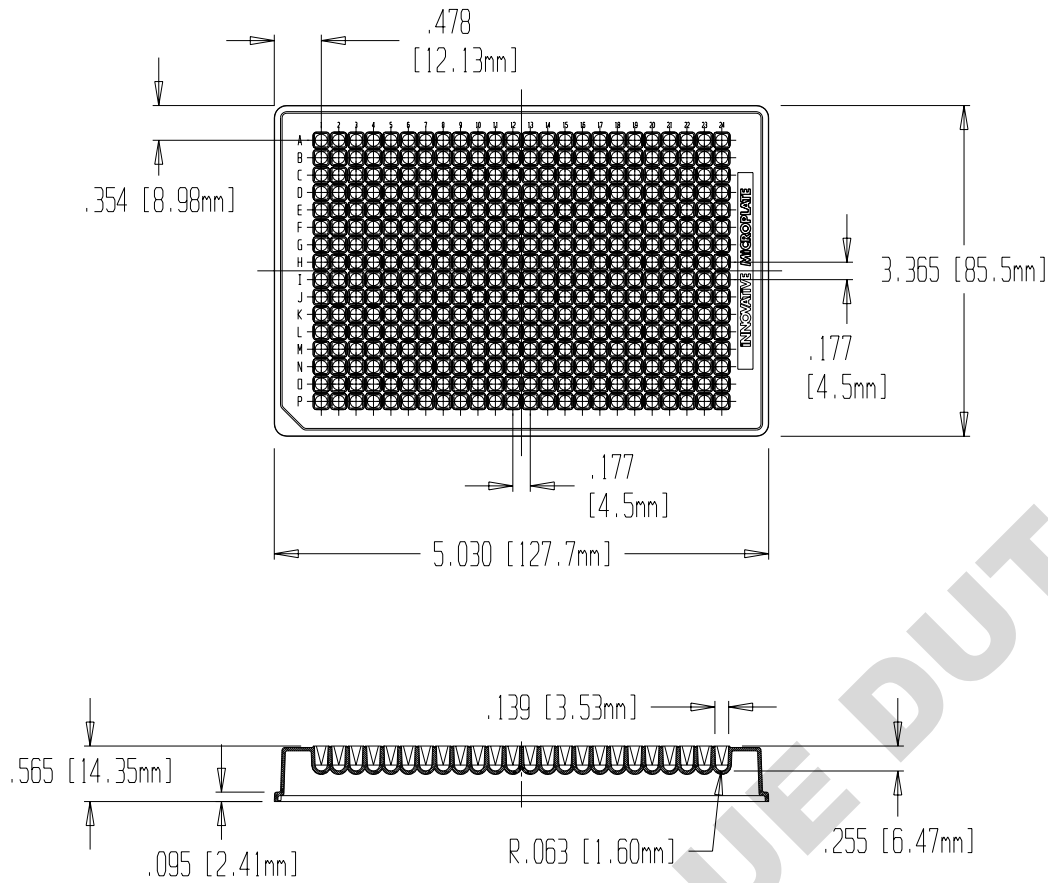


REV.	ECO NO.	DESCRIPTION
A	000183	RELEASE TO PRODUCTION.



NOTES:

1. MAX VOLUME OF WELL .058ml
2. WORKING VOLUME OF WELL .035ml

FOR REFERENCE ONLY

**Seahorse Bioscience**

SEAHORSE BIOSCIENCE, INC.

300 GRIFFITH ROAD  
 CHICOPEE, MA 01022  
 (413) 593-5300 PHONE  
 (413) 593-5900 FAX

© 2002  
 CONFIDENTIAL  
 TRADE SECRETS  
 PATENTS ISSUED  
 AND PENDING  
 DO NOT COPY  
 OR DISCLOSE  
 WITHOUT WRITTEN  
 PERMISSION OF  
 INNOVATIVE MICROPLATE

TOLERANCES UNLESS  
 OTHERWISE SPECIFIED  
 XX ± .03  
 XXX ± .015  
 XXXX ± .0005  
 FRACTION: ± 1/64  
 ANGULAR: ±0°15'  
 RADIUS 0.015" UNLESS  
 OTHERWISE SPECIFIED  
 BREAK ALL SHARP EDGES

**MATERIAL:**  
 NATURAL POLYPROPYLENE

**CONCENTRATE:**

**PRT NAME:**

384 WELL, STORAGE PLATE

**CATALOG NO.:**

S30033

**DATE:**  
 9/16/03

**DRAWN BY:**  
 S. MORLEY

**APPR BY:**  
 S. YOUNG

**PRT SIZE:**  
 A

**SCALE:**  
 NTS

**SHEET** 1 OF 1

**REV.**  
 A