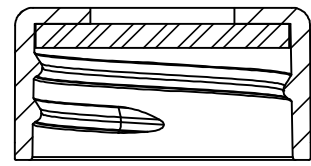
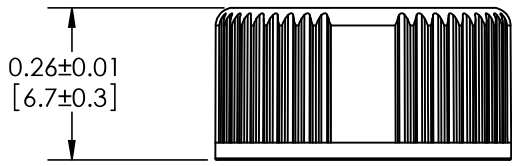
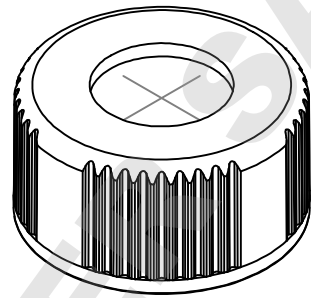
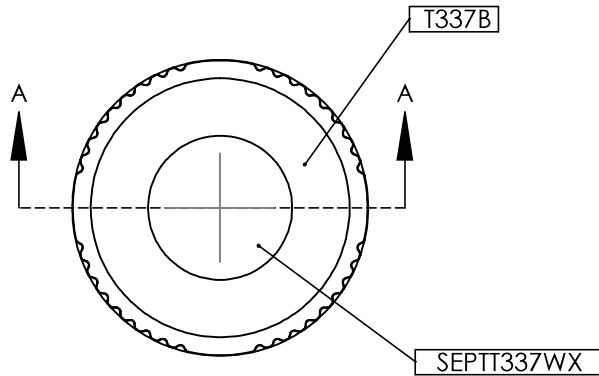
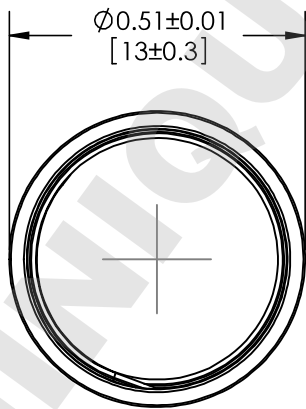


CONFIDENTIAL



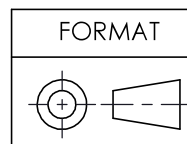
SECTION A-A



© COPYRIGHT: Simport Ltd; 2001

PROPRIETARY AND CONFIDENTIAL:

THE INFORMATION CONTAINED IN THIS DRAWING IS THE SOLE PROPERTY OF SIMPORT Ltd. ANY REPRODUCTION IN PART OR AS A WHOLE WITHOUT THE WRITTEN PERMISSION OF SIMPORT Ltd IS PROHIBITED.



0	09/	FOR APPROVAL	INI
	DATE	DESCRIPTION	BY
TITLE: SEPTUM SCEW CAP			
Simport			
MATERIAL: CAP: POLYPROPYLENE SEPTUM: PTFE/SILICONE			
REF.: Simport		SCALE: N.T.S.	
BY: A. PLANTE		DATE: 2012/10/18	
DRAWING: T347AQX		PAGE: 1 / 1	REV.: 0