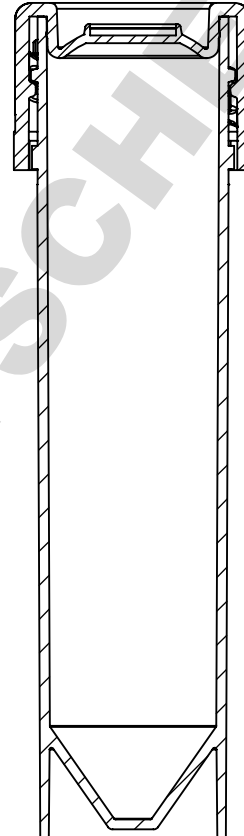
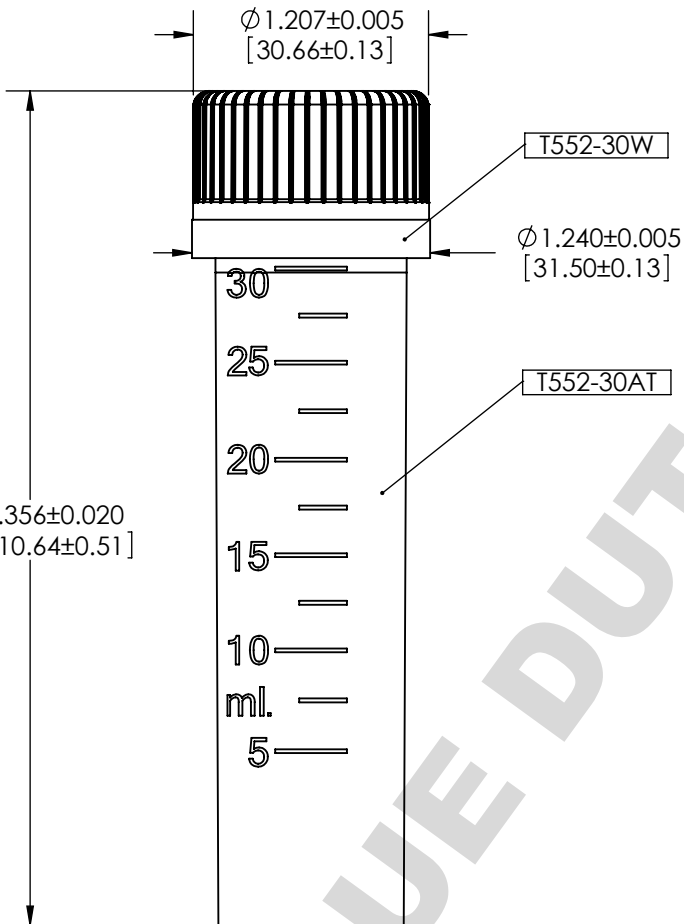
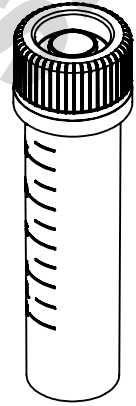
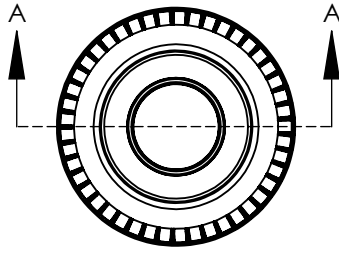
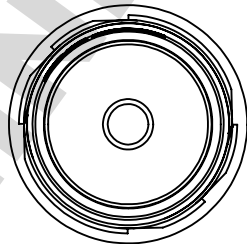


**CONFIDENTIAL**



SECTION A-A

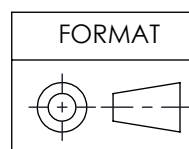
1  $4.356 \pm 0.020$   
[110.64 ± 0.51]



© COPYRIGHT: Simport Ltd; 1998

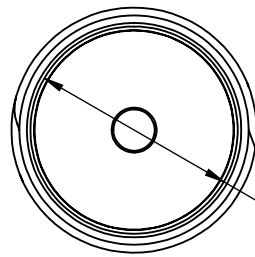
PROPRIETARY AND CONFIDENTIAL:

THE INFORMATION CONTAINED  
IN THIS DRAWING IS THE SOLE  
PROPERTY OF SIMPORT Ltd.  
ANY REPRODUCTION IN PART  
OR AS A WHOLE WITHOUT THE  
WRITTEN PERMISSION OF  
SIMPORT Ltd IS PROHIBITED.



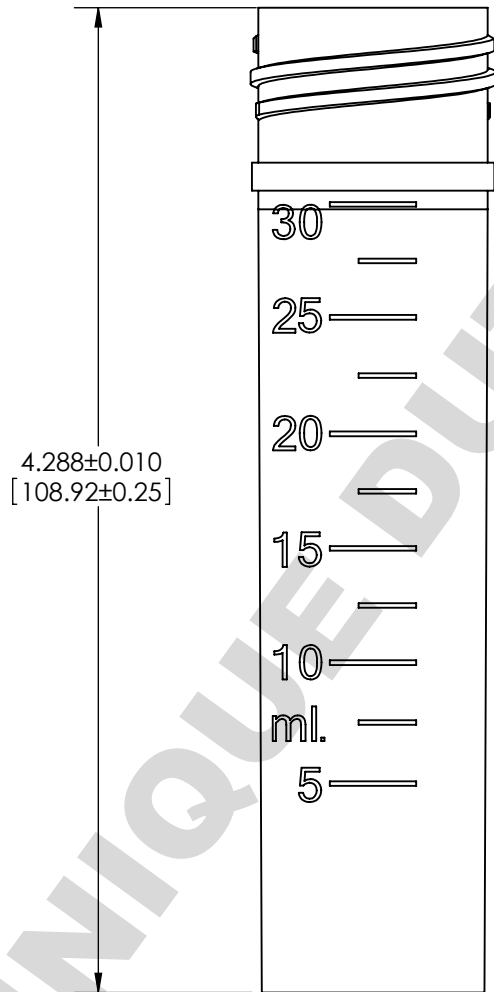
1	2017/08/24	4.356 [110.64] WAS 4.010 [101.85] CORRECTION TYPO	A.P.
	DATE	DESCRIPTION	BY
TITLE: C572-1, T552-30AT			
<b>Simport</b>			
MATERIAL: CONT. : POLYPROPYLENE CAP: POLYETHYLENE			
REF.:	Simport	SCALE:	N.T.S.
BY:	A. PLANTE	DATE:	2013/11/27
DRAWING:	DC T552-30AT Assembly	PAGE:	1 / 1
		REV.:	1

CONFIDENTIAL



$\varnothing 0.901 \pm 0.005$   
[22.89 ± 0.13]

$\varnothing 0.995 \pm 0.005$   
[25.27 ± 0.13]

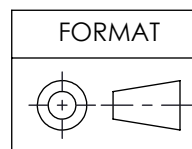


$4.288 \pm 0.010$   
[108.92 ± 0.25]

© COPYRIGHT: Simport Ltd; 1998

PROPRIETARY AND CONFIDENTIAL:

THE INFORMATION CONTAINED  
IN THIS DRAWING IS THE SOLE  
PROPERTY OF SIMPORT Ltd.  
ANY REPRODUCTION IN PART  
OR AS A WHOLE WITHOUT THE  
WRITTEN PERMISSION OF  
SIMPORT Ltd IS PROHIBITED.



0	09/	FOR APPROVAL	INI
	DATE	DESCRIPTION	BY
TITLE:		T552-30AT	
<b>Simport</b>			
MATERIAL:		POLYPROPYLENE	
REF.:	Simport	SCALE:	N.T.S.
BY:	A. PLANTE	DATE:	2013/11/27
DRAWING:	DC T552-30AT ASSEMBLY	PAGE:	1 / 1
		REV.:	0