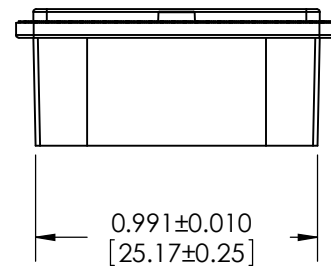
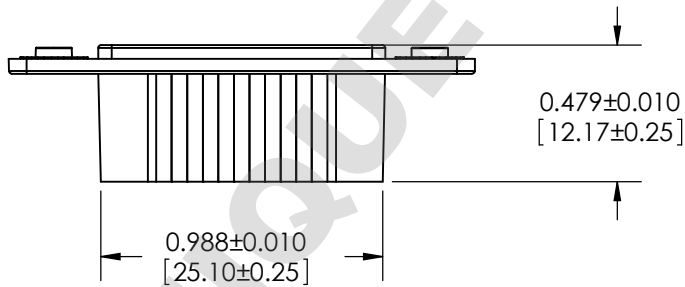
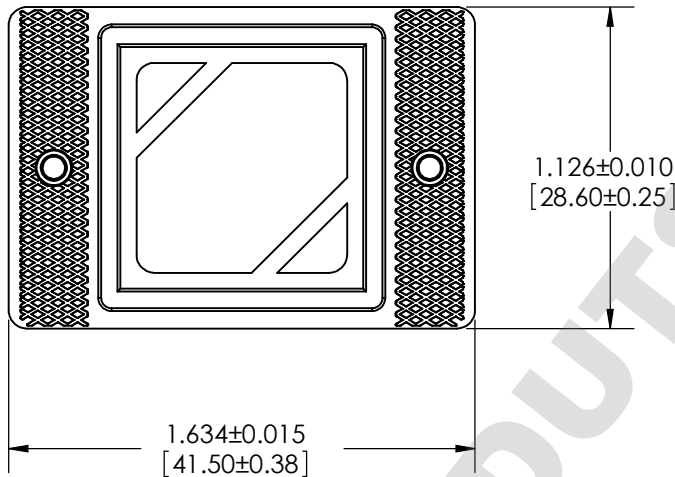
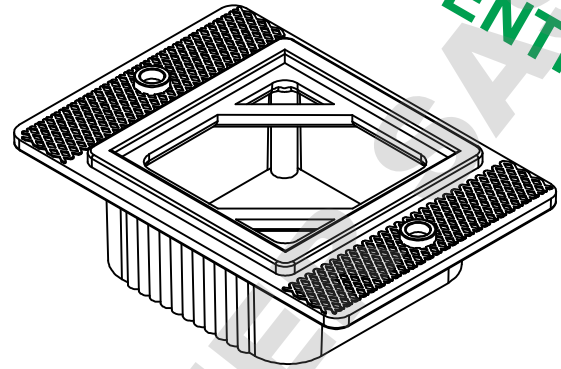


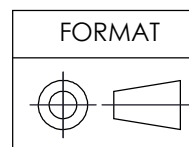
CONFIDENTIAL



© COPYRIGHT: Simport Ltd; 1998

PROPRIETARY AND CONFIDENTIAL:

THE INFORMATION CONTAINED IN THIS DRAWING IS THE SOLE PROPERTY OF SIMPORT Ltd. ANY REPRODUCTION IN PART OR AS A WHOLE WITHOUT THE WRITTEN PERMISSION OF SIMPORT Ltd IS PROHIBITED.



0	09/	FOR APPROVAL	INI
	DATE	DESCRIPTION	BY
TITLE: M460 ERMBEDING RING			
<b>Simport</b>			
MATERIAL:		HIPS	
REF.:	Simport	SCALE:	N.T.S.
BY:	A. PLANTE	DATE:	2011/08/12
DRAWING:	M460	PAGE:	1 / 1
		REV.:	0