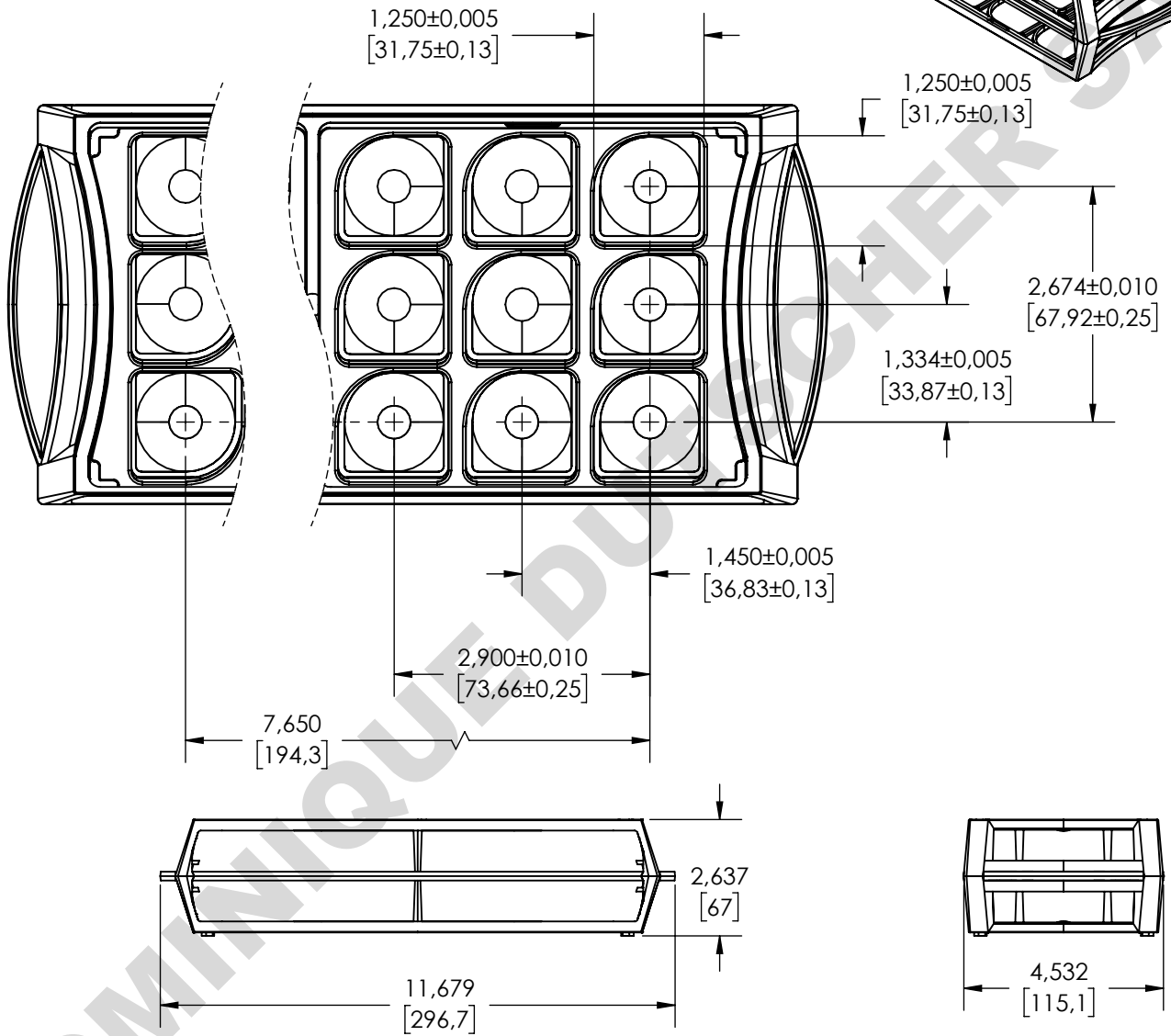
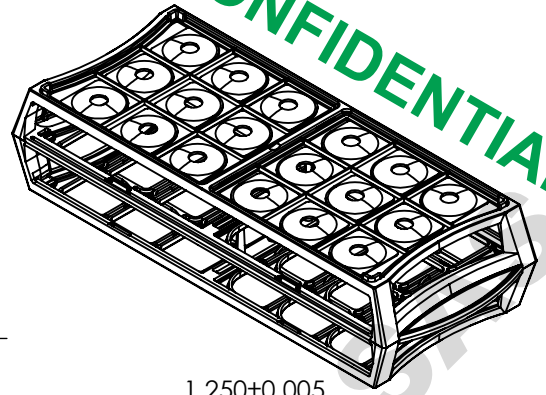


CONFIDENTIAL



0	09/	FOR APPROVAL	INI
	DATE	DESCRIPTION	BY
TITLE: S600-30 MULTIRACK			
Simport			
MATERIAL:		ACETAL	
BY:	A. PLANTE	SCALE:	N.T.S.
APP.:		DATE:	2021-02-12
DRAWING:	DC S600-30	PAGE:	1 / 1
		REV.:	0

© COPYRIGHT: Simport Ltd; 1998

PROPRIETARY AND CONFIDENTIAL:

THE INFORMATION CONTAINED IN THIS DRAWING IS THE SOLE PROPERTY OF SIMPORT Ltd. ANY REPRODUCTION IN PART OR AS A WHOLE WITHOUT THE WRITTEN PERMISSION OF SIMPORT Ltd IS PROHIBITED.

