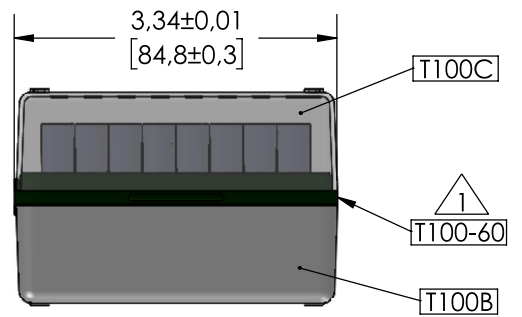
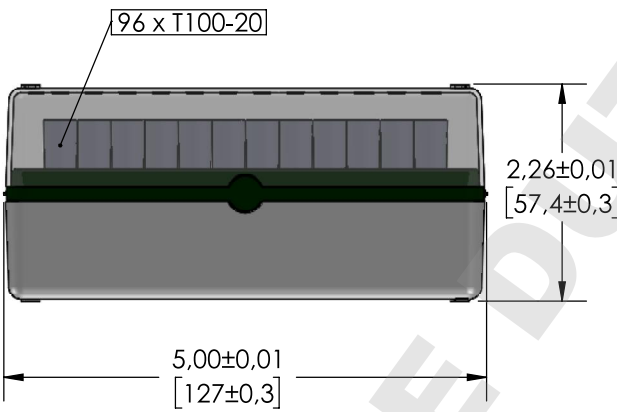
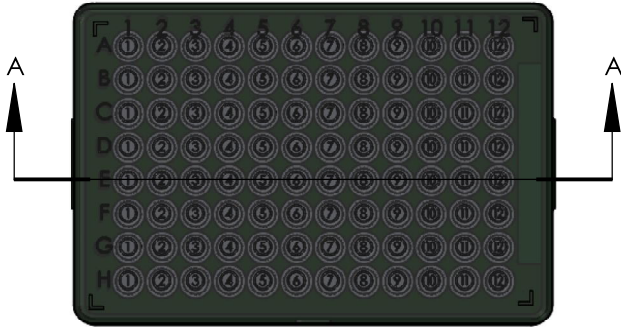
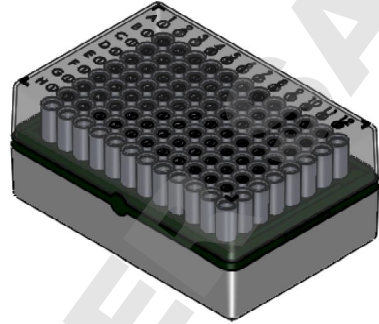


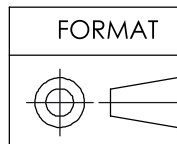
SECTION A-A



© COPYRIGHT: Simport Ltd; 1998

PROPRIETARY AND CONFIDENTIAL:

THE INFORMATION CONTAINED IN THIS DRAWING IS THE SOLE PROPERTY OF SIMPORT Ltd. ANY REPRODUCTION IN PART OR AS A WHOLE WITHOUT THE WRITTEN PERMISSION OF SIMPORT Ltd IS PROHIBITED.



1	2020-10-26	T100-60 WAS T100I	A.P.
	DATE	DESCRIPTION	BY
TITLE:		T100-1	
Simport			
MATERIAL:		POLYPROPYLENE	
BY:	A. PLANTE	SCALE:	N.T.S.
APP.:		DATE:	2017-07-31
DRAWING:	T100-1	PAGE:	1 / 1
		REV.:	1