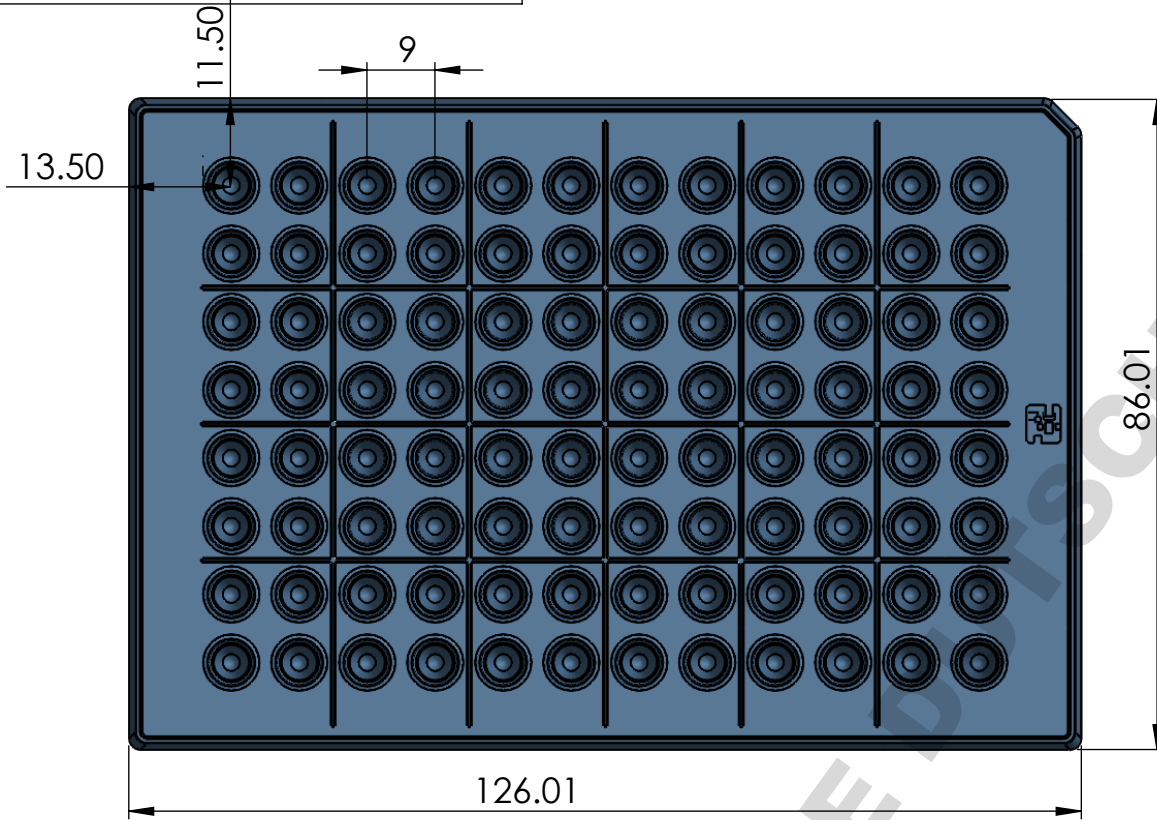
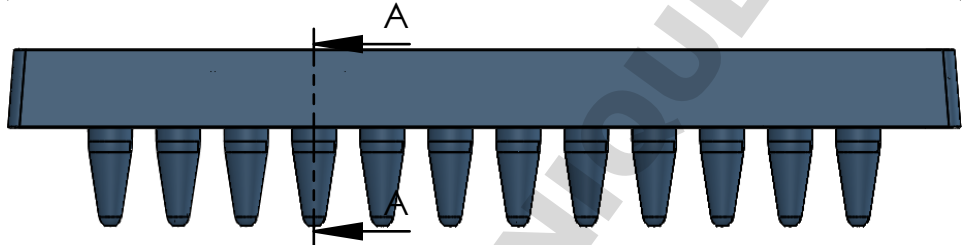
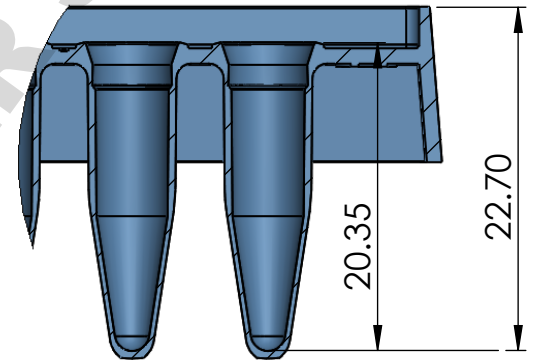


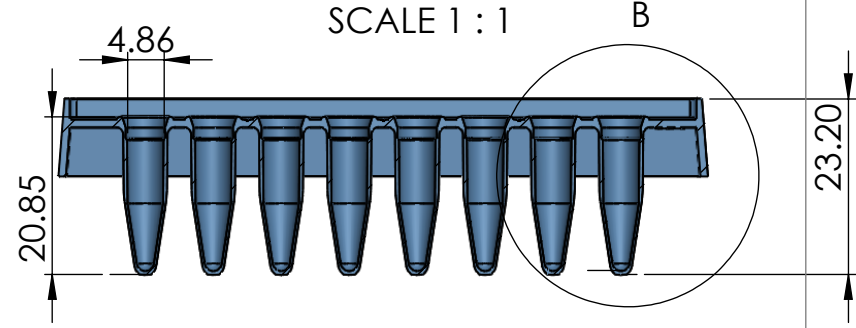
PROPRIETARY AND CONFIDENTIAL  
 THE INFORMATION CONTAINED IN THIS DRAWING IS THE SOLE PROPERTY OF  
 BIOplastics BV ANY REPRODUCTION IN PART OR AS A WHOLE  
 WITHOUT THE WRITTEN PERMISSION OF BIOplastics BV IS PROHIBITED.



DETAIL B  
 SCALE 2 : 1



SECTION A-A  
 SCALE 1 : 1



		DIMENSIONS ARE IN MM TOLERANCES: ± 2%		NAME	DATE	<b>BIOplastics BV</b>	
				DRAWN	Jo Vaessen		DWG. NO.
				CHECKED			<b>AB17500</b>
				ENG APPR.			
				MFG APPR.			
		MATERIAL PP		Q.A.		SIZE	
		FINISH --		COMMENTS:		A	
NEXT ASSY	USED ON					REV.	
APPLICATION		DO NOT SCALE DRAWING				SCALE:1:2	
						WEIGHT:	
						SHEET 1 OF 1	