

**TECHNICAL DATASHEET**
**PART NUMBER**
**038000TCL**


The ISO8655 norm guarantees that the tips used do not alter the technical characteristics of the pipettes, as given by the manufacturer.

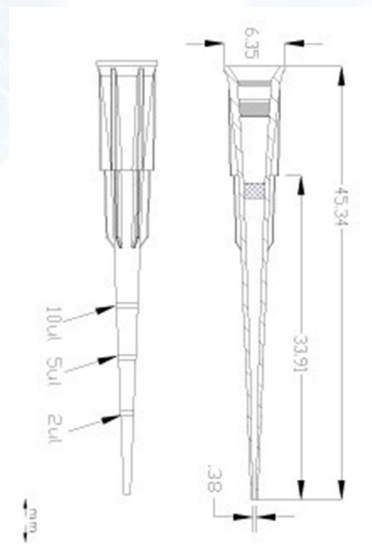





### ClearLine Tips

- ✓ In clear polypropylene
- ✓ Store in a clean and dry place, at room temperature
- ✓ Each batch number is certified : RNase, DNase free, Human DNA free, PCR inhibitor free and pyrogen free
- ✓ Traceability : 5 digit batch number, part number, volumetric tips, volumetric tips and their expiration date.

<b>Part number</b>	038000TCL
<b>Packaging</b>	ClearLine rack with slip lid
<b>Volume</b>	10 µl
<b>Graduation</b>	2, 5, 10
<b>Length</b>	45,3 mm
<b>Color</b>	Natural
<b>Filter</b>	Yes
<b>Low Retention</b>	Yes
<b>Sterility</b>	Yes
<b>Autoclavable</b>	No


**Sales units :**

960 tips