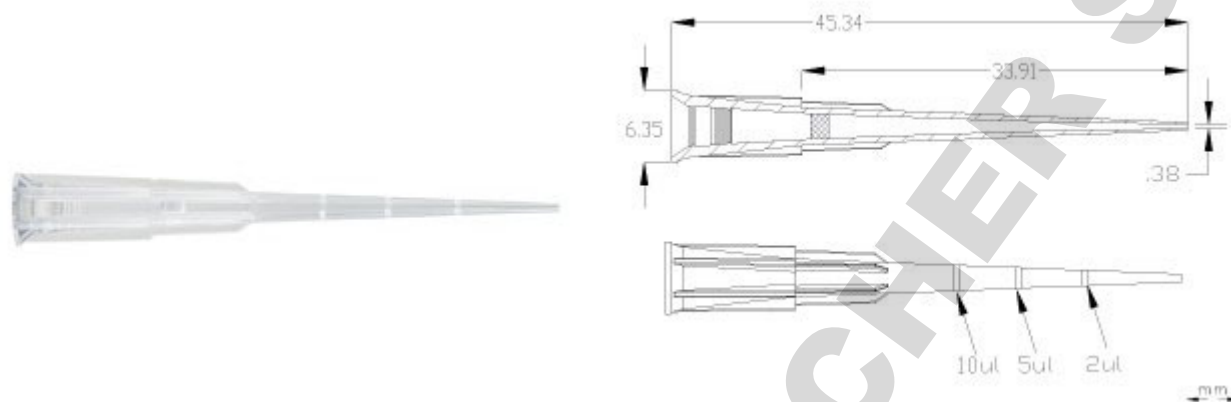


10 µl (0.1 - 10 µl) LongReach Barrier - Catalog #38000T



Catalog #	Description
38000T	Natural, Polypropylene, Low Binding, Sterile
Packaging Type	Packaging Details
Racked Tips	Sterile, 96 Tips/Rack, 10 Racks/Pack, 5 Packs/Case, Cell Rack
Attributes	



**Material:** Polypropylene  
**Volume Range:** 0.1-10 µl  
**Grad Lines:** 2, 10 µl

Certified RNase/DNase Free  
Certified Human DNA Free  
Certified PCR Inhibitor Free  
Certified Pyrogen Free