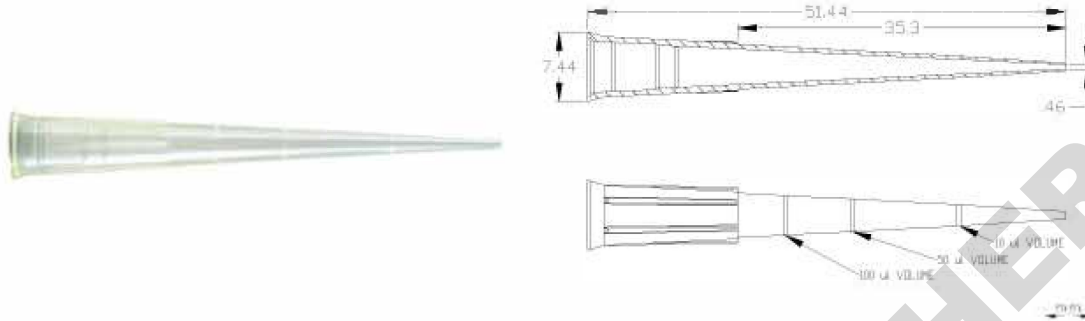




200 µl (1-200 µl) Standardization - Catalog #35100



Catalog #	Description
35100	Natural, Polypropylene, Low Binding, Sterile
Packaging Type	Packaging Details
Racked Tips	Sterile, 96 Tips/Rack, 10 Racks/Pack
Attributes	



Volume Range: 1-200 µl
Grad Lines: 10, 50, 100 µl

Certified Human DNA Free
 Certified PCR Inhibitor Free
 Certified Pyrogen Free

DOMINIQUE DUTSCHER SAS