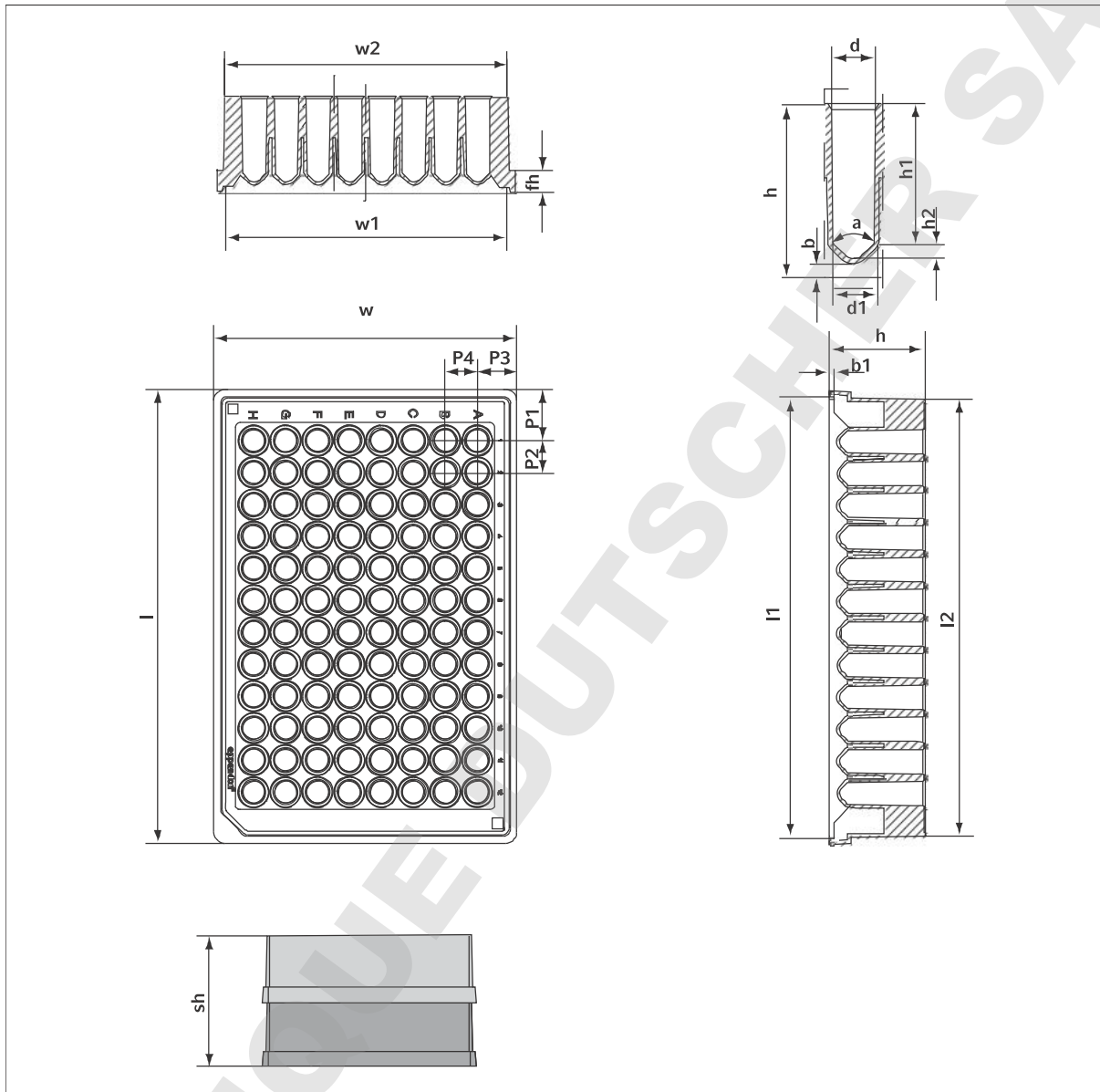


## Technical Data Sheet

Eppendorf Deepwell Plate 96/500  $\mu$ L  
English (EN)



### Plate dimensions [mm]

Length			Width			Height		Stack height
l	l1	l2	w	w1	w2	h	fh	sh (without lid)
127.8	124.5	123.2	85.5	82.2	81.0	27.1	6.1	52.8

### Well dimensions [mm]

Well dimensions [mm]				Bottom [°]	Positions of well center [mm]				Bottom space [mm]	
Depth		Diameter		Angle						
h1	h2	d	d1	a	P1	P2	P3	P4	b	b1
21.4	2.6	7.0	6.4	90	14.4	9.0	11.2	9.0	2.1	1.4

Your local distributor: [www.eppendorf.com/contact](http://www.eppendorf.com/contact)  
Eppendorf AG · 22331 Hamburg · Germany  
[eppendorf@eppendorf.com](mailto:eppendorf@eppendorf.com) · [www.eppendorf.com](http://www.eppendorf.com)