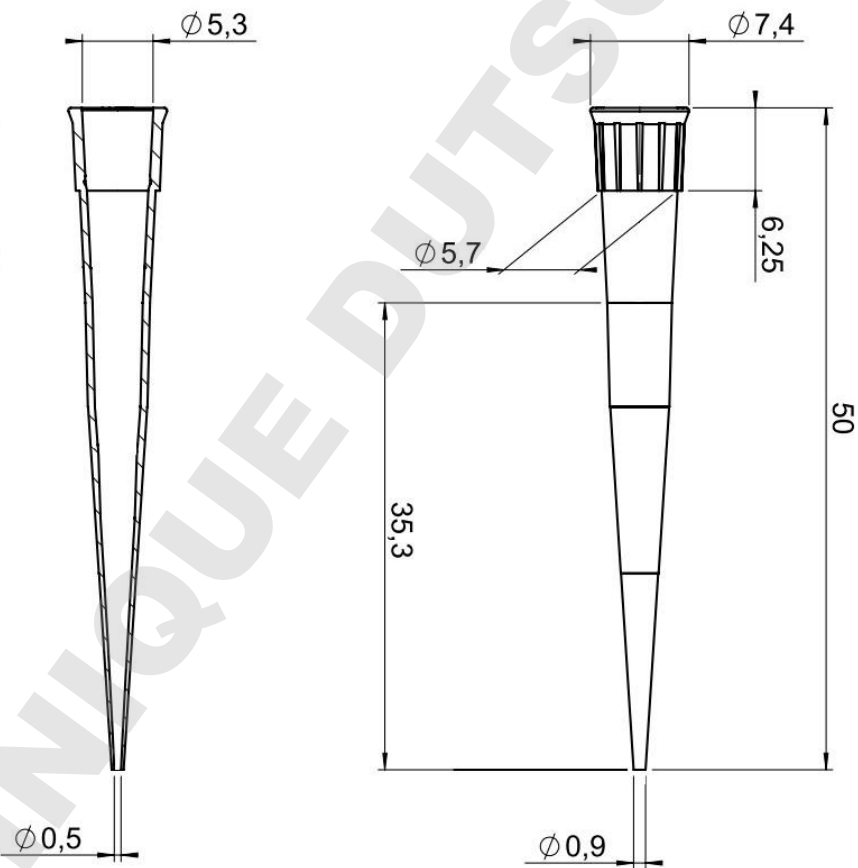


Technical Drawing

TreffLab Pipette Tips 2 - 200 μ l

96.11179.4.01	96.11185.9.01	96.11236.9.01	96.11260.9.01	CleanRoom Pure®
	96.11223.9.01	96.11249.9.01	96.11263.9.01	Y-sterilized



Dimensions : Millimeters