

Technical Drawing

PCR Microtube 0.2 ml

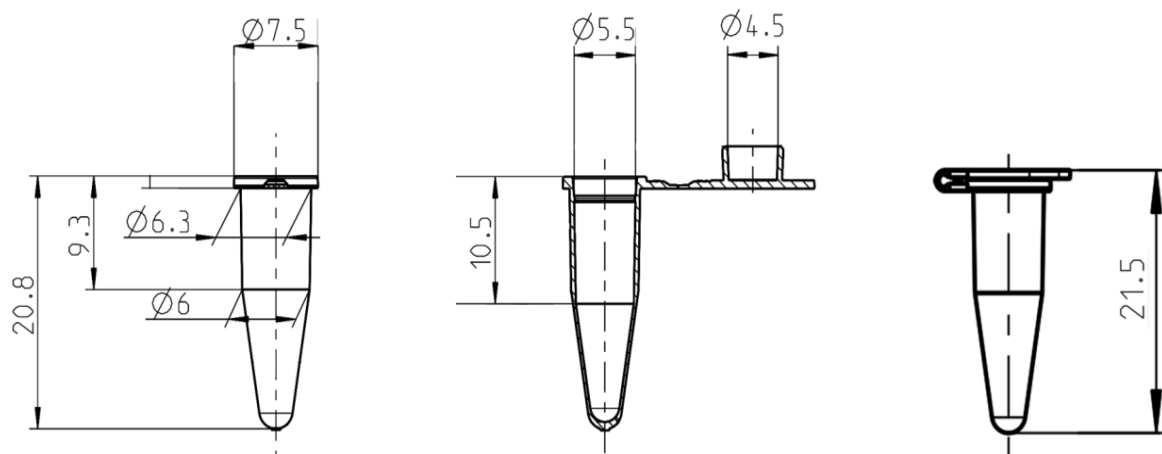
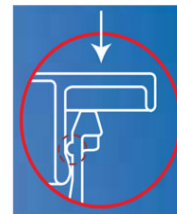
Order number 96.09852.9.01

96.09852.2.01

96.09852.4.01

96.09852.5.01

96.09852.6.01



Dimensions : Millimeters