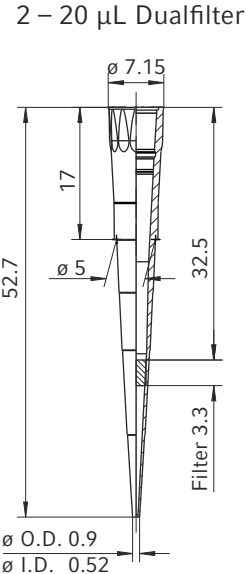
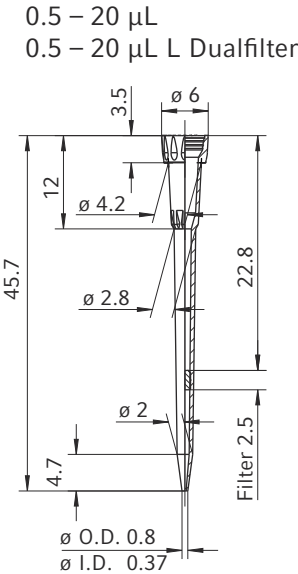
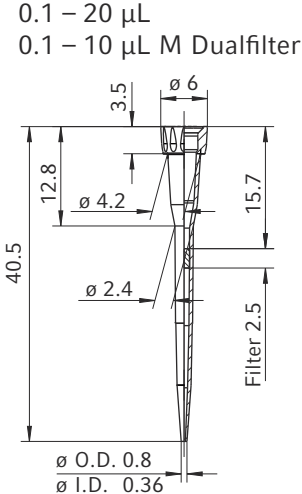
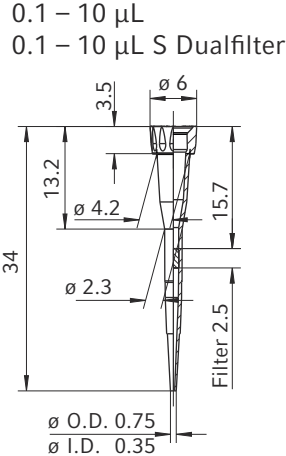


Technical Data Sheet

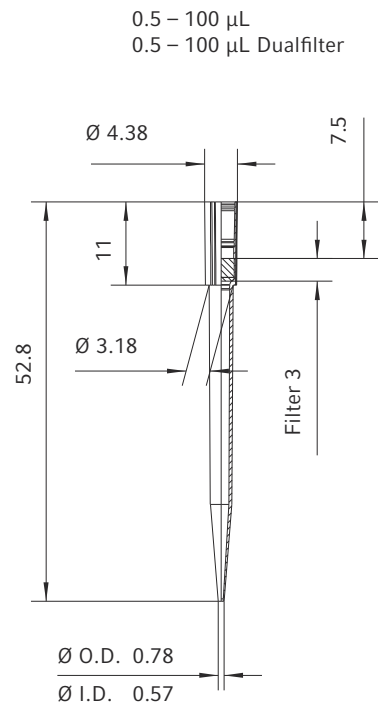
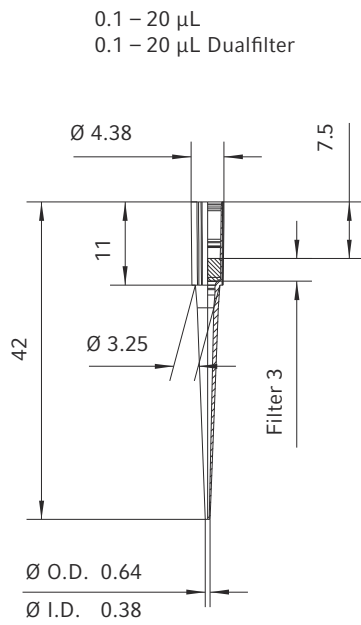
epT.I.P.S.®
English (EN)

Dimensions

epT.I.P.S. 10 µL – 20 µL



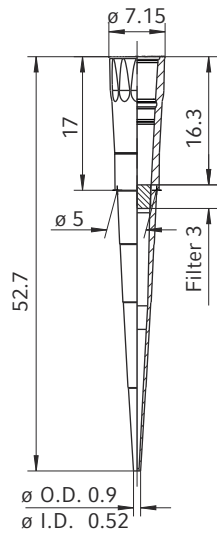
Dimensions in mm
Scale 1 : 1
O.D. – outer diameter
I.D. – inner diameter

epT.I.P.S. 384 20 μ L – 100 μ L

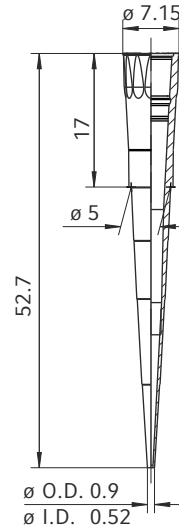
Dimensions in mm
Scale 1 : 1
O.D. – outer diameter
I.D. – inner diameter

epT.I.P.S. 100 µL – 300 µL

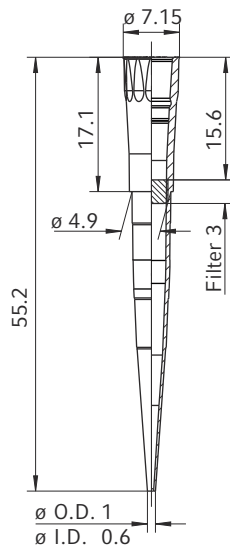
2 – 100 µL Dualfilter



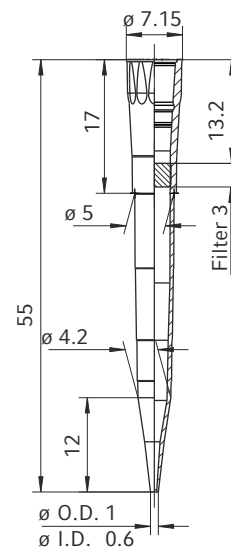
2 – 200 µL



2 – 200 µL Dualfilter



20 – 300 µL
20 – 300 µL Dualfilter



Dimensions in mm

Scale 1 : 1

O.D. – outer diameter

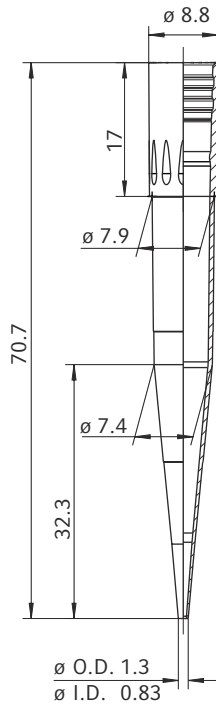
I.D. – inner diameter

Technical Data Sheet

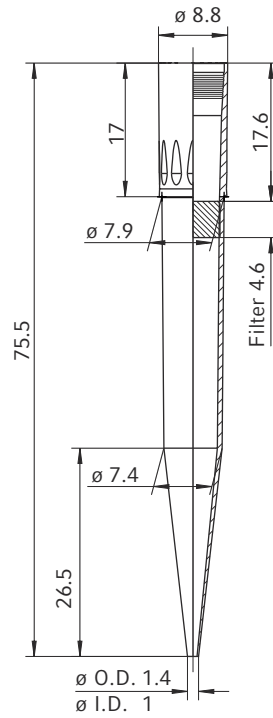
epT.I.P.S.®
English (EN)

epT.I.P.S. 1000 µL – 1250 µL

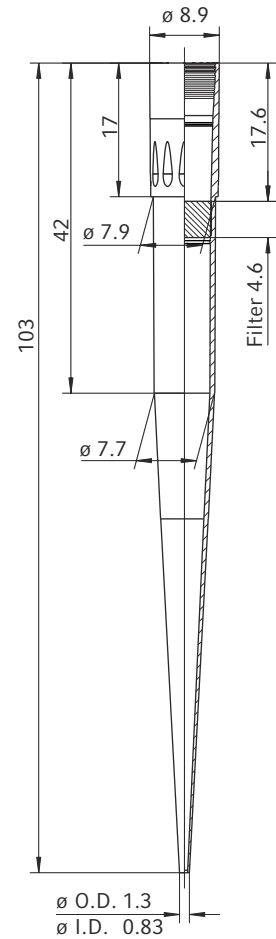
50 – 1000 µL



50 – 1250 µL
50 – 1000 µL Dualfilter

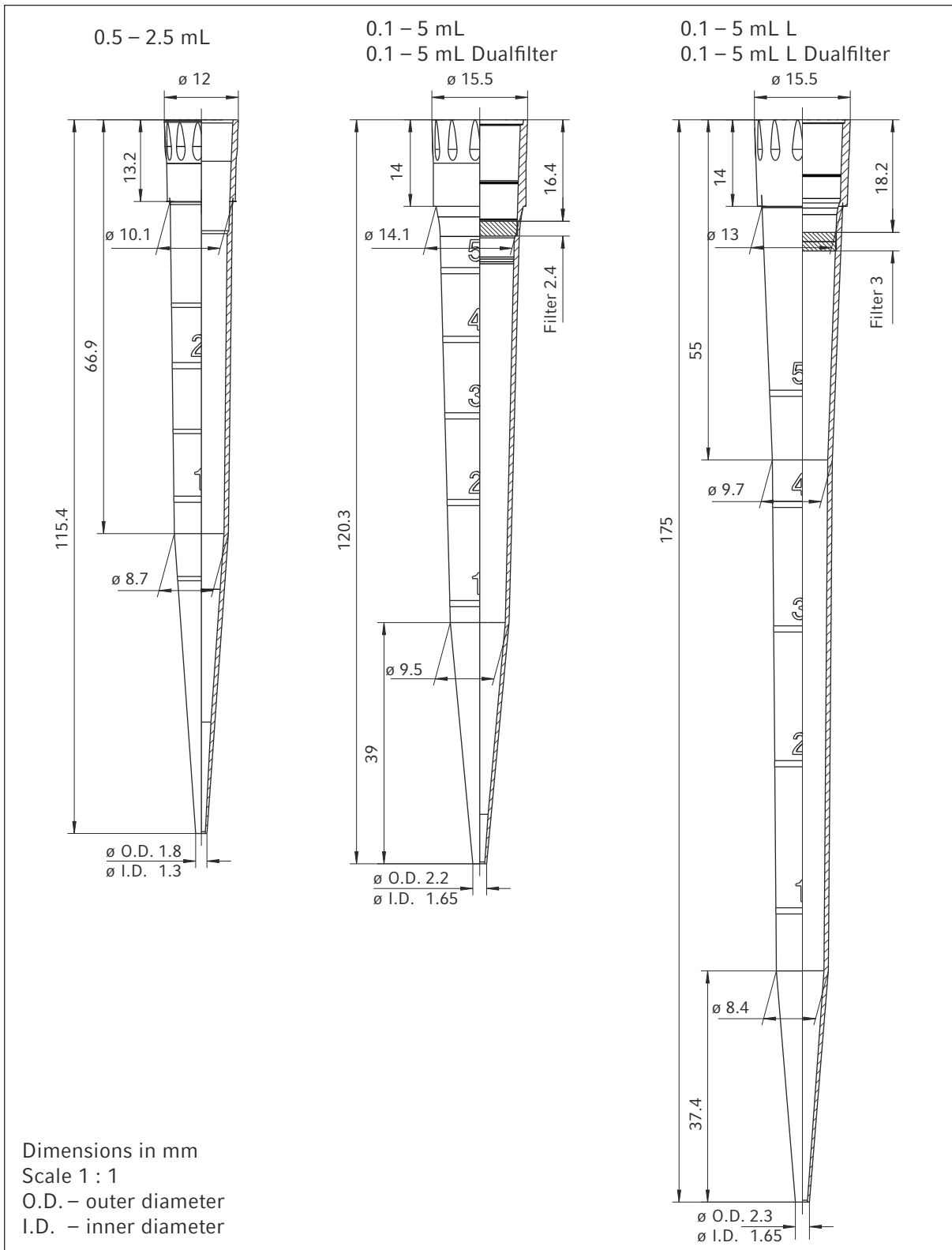


50 – 1250 µL L
50 – 1250 µL L Dualfilter



Dimensions in mm
Scale 1 : 1
O.D. – outer diameter
I.D. – inner diameter

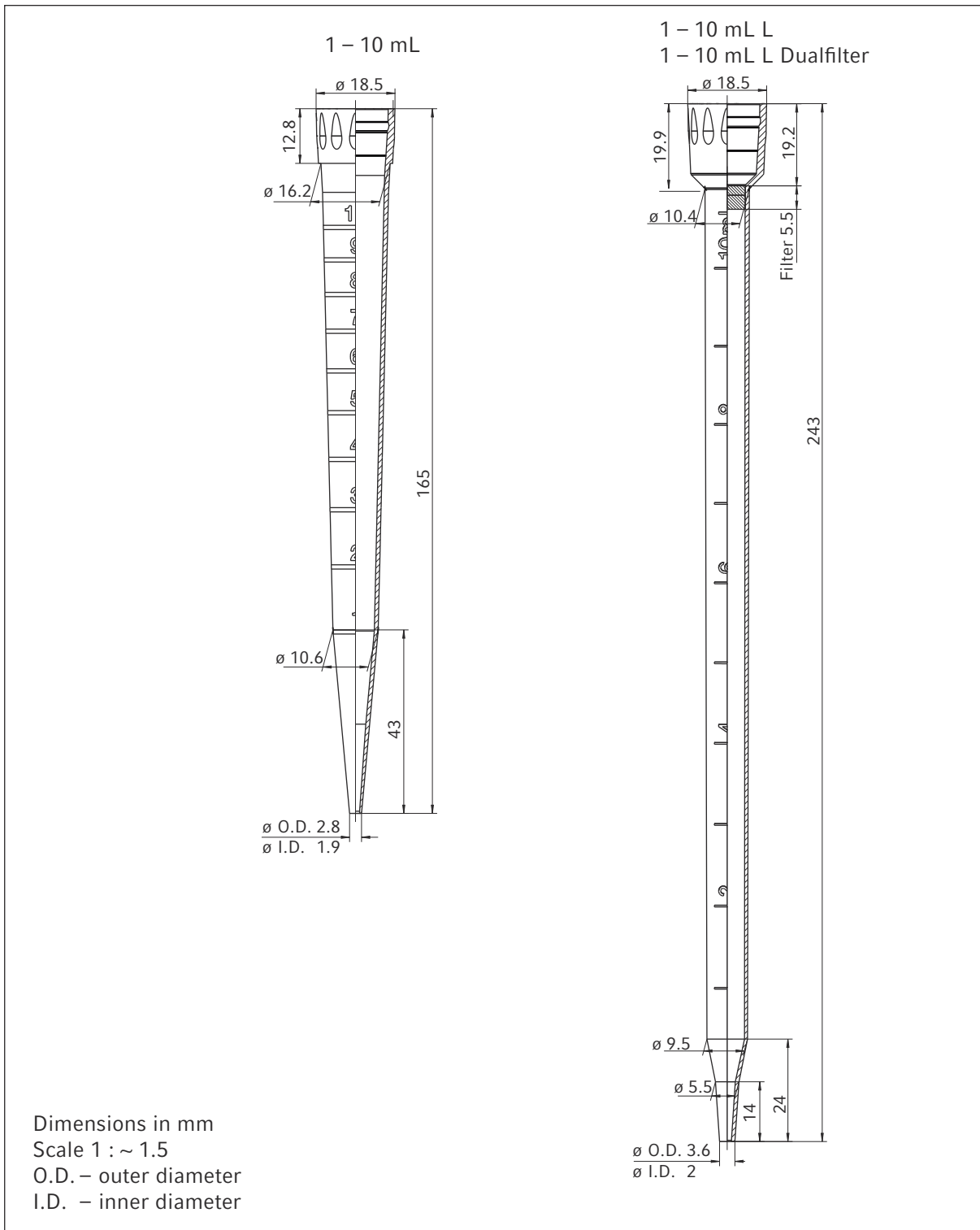
epT.I.P.S. 2,5 mL – 5 mL



Technical Data Sheet

epT.I.P.S.®
English (EN)

epT.I.P.S. 10 mL



Your local distributor: www.eppendorf.com/contact

Eppendorf SE · Barkhausenweg 1 · 22339 Hamburg · Germany
eppendorf@eppendorf.com · www.eppendorf.com