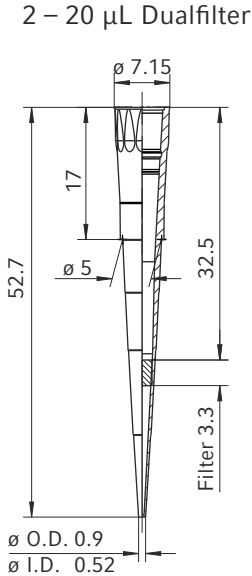
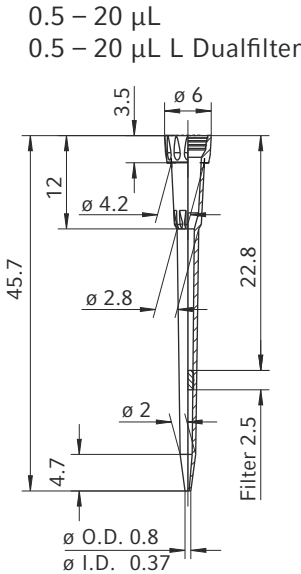
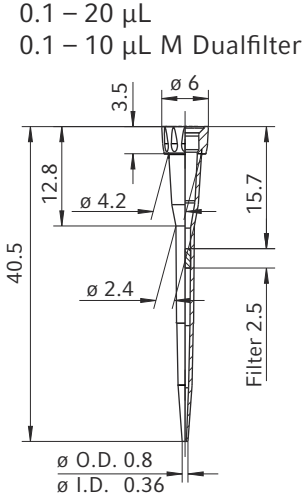
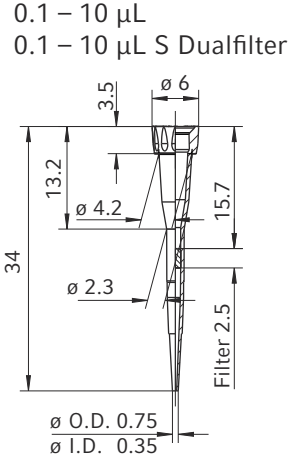


Technical Data Sheet

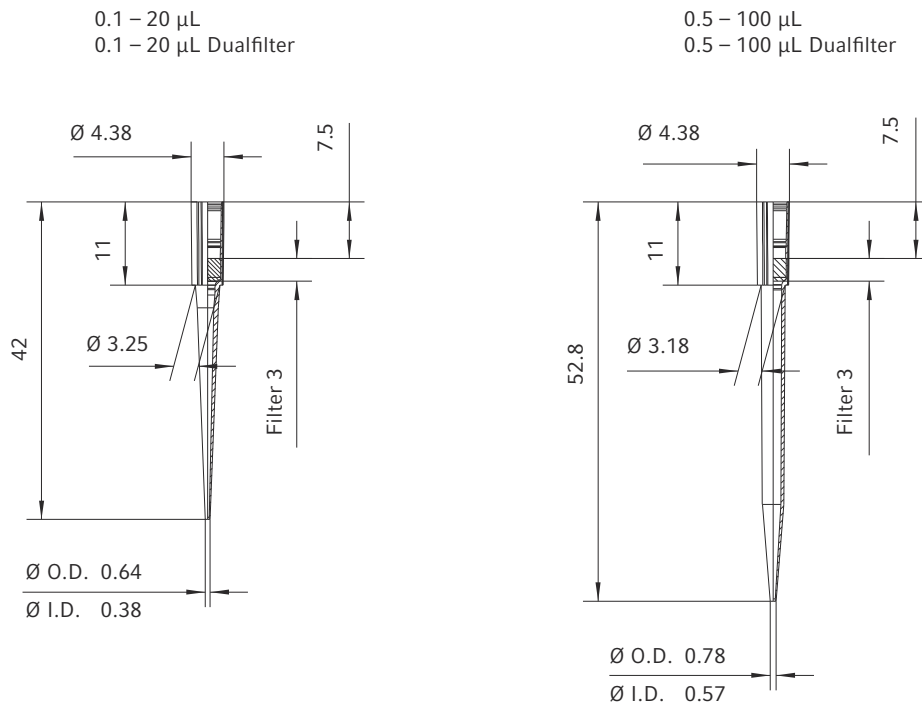
epT.I.P.S.®  
English (EN)

Dimensions

epT.I.P.S. 10 µL – 20 µL



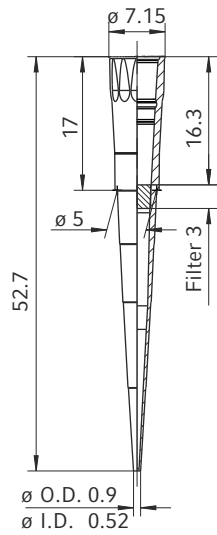
Dimensions in mm  
Scale 1 : 1  
O.D. – outer diameter  
I.D. – inner diameter

epT.I.P.S. 384 20  $\mu$ L – 100  $\mu$ L

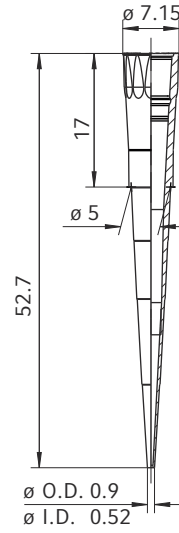
Dimensions in mm  
Scale 1 : 1  
O.D. – outer diameter  
I.D. – inner diameter

epT.I.P.S. 100 µL – 300 µL

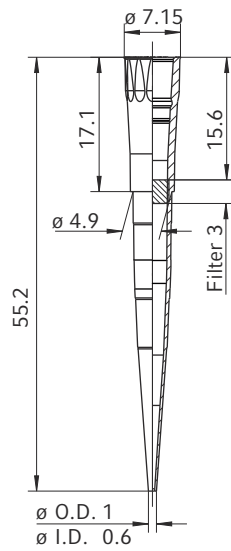
2 – 100 µL Dualfilter



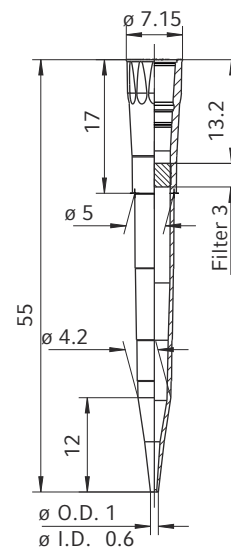
2 – 200 µL



2 – 200 µL Dualfilter



20 – 300 µL  
20 – 300 µL Dualfilter



Dimensions in mm

Scale 1 : 1

O.D. – outer diameter

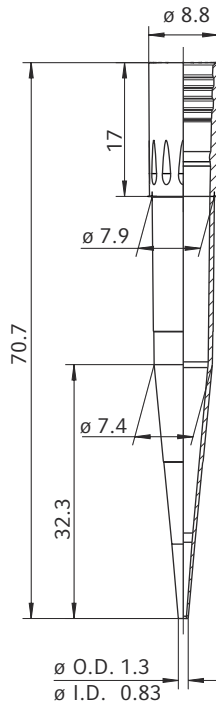
I.D. – inner diameter

# Technical Data Sheet

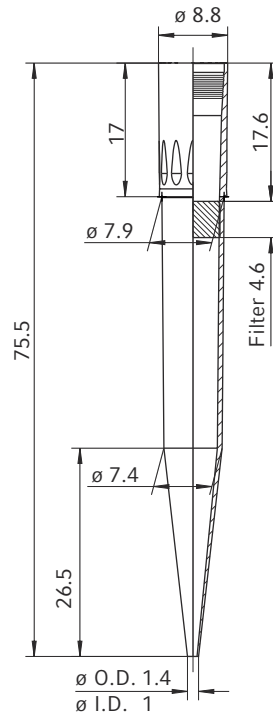
epT.I.P.S.®  
English (EN)

## epT.I.P.S. 1000 $\mu$ L – 1250 $\mu$ L

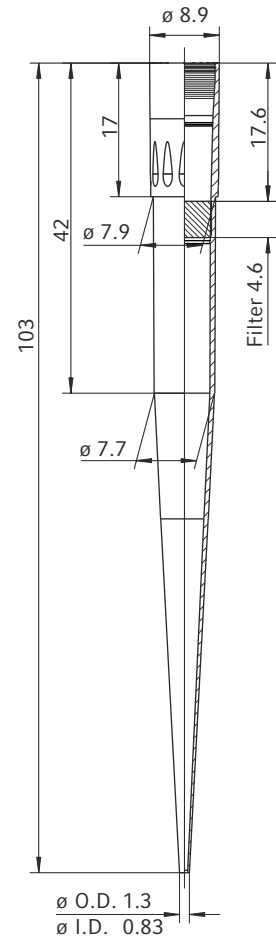
50 – 1000  $\mu$ L



50 – 1250  $\mu$ L  
50 – 1000  $\mu$ L Dualfilter

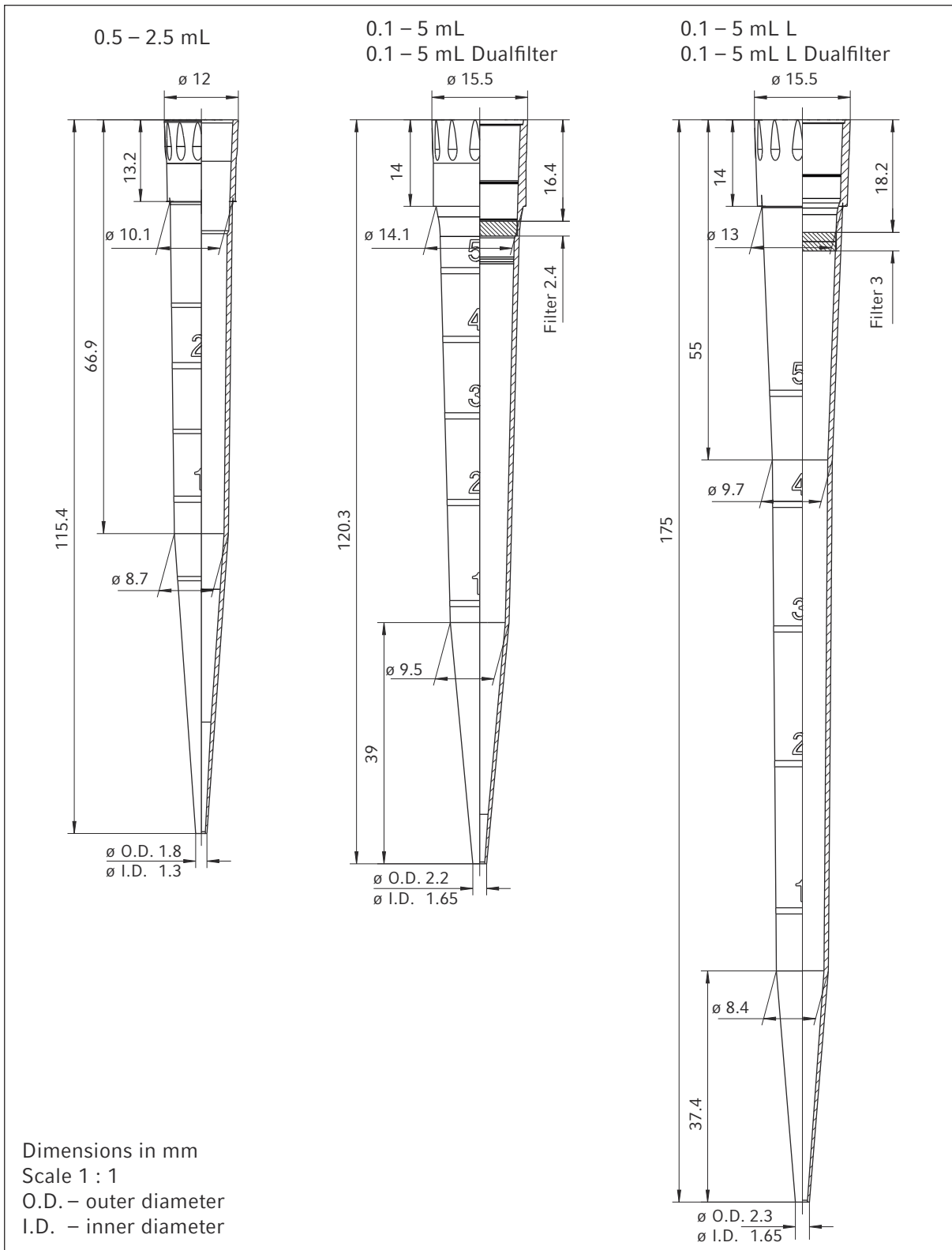


50 – 1250  $\mu$ L L  
50 – 1250  $\mu$ L L Dualfilter



Dimensions in mm  
Scale 1 : 1  
O.D. – outer diameter  
I.D. – inner diameter

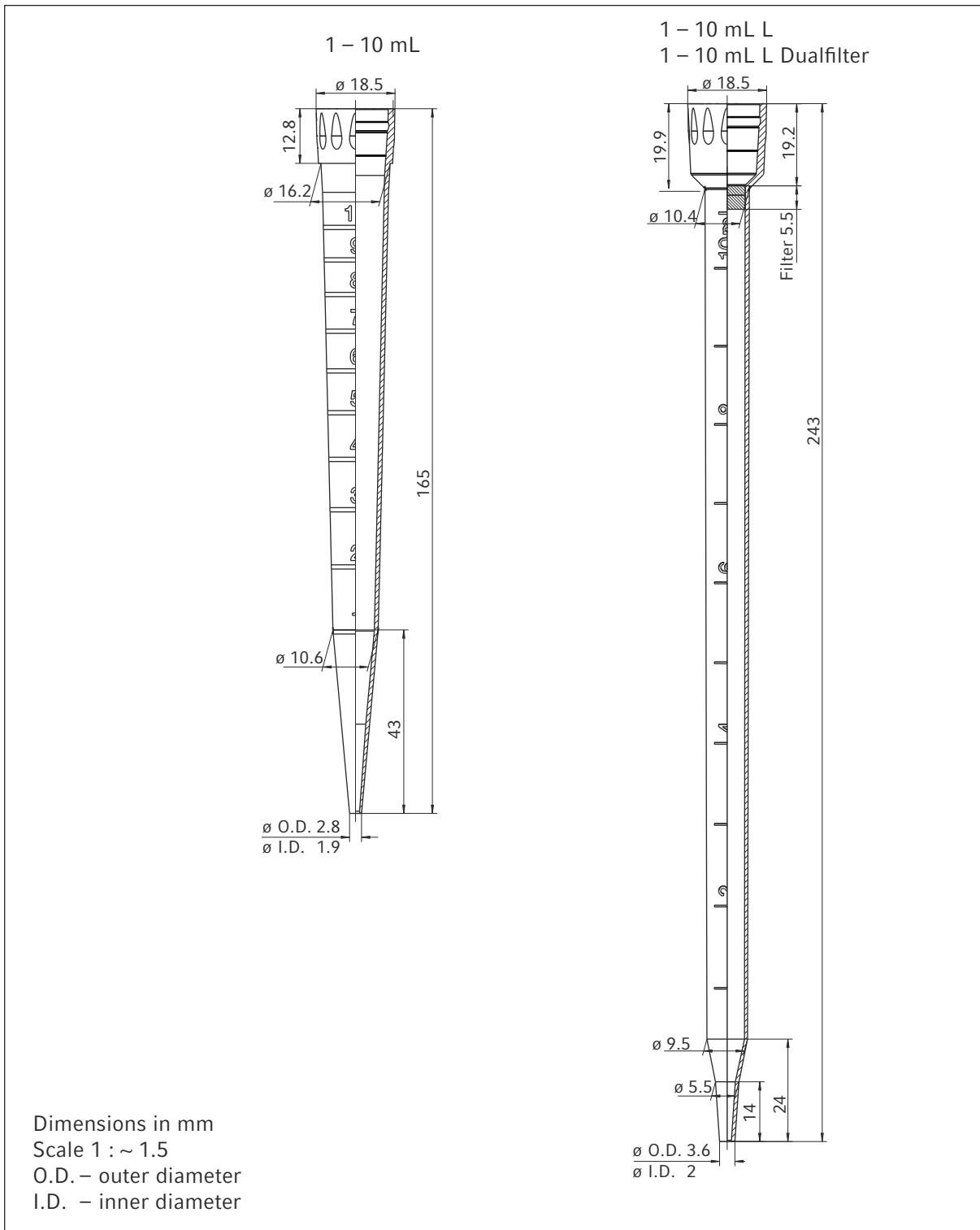
epT.I.P.S. 2,5 mL – 5 mL



# Technical Data Sheet

epT.I.P.S.®  
English (EN)

## epT.I.P.S. 10 mL



Your local distributor: [www.eppendorf.com/contact](http://www.eppendorf.com/contact)

Eppendorf SE · Barkhausenweg 1 · 22339 Hamburg · Germany  
[eppendorf@eppendorf.com](mailto:eppendorf@eppendorf.com) · [www.eppendorf.com](http://www.eppendorf.com)