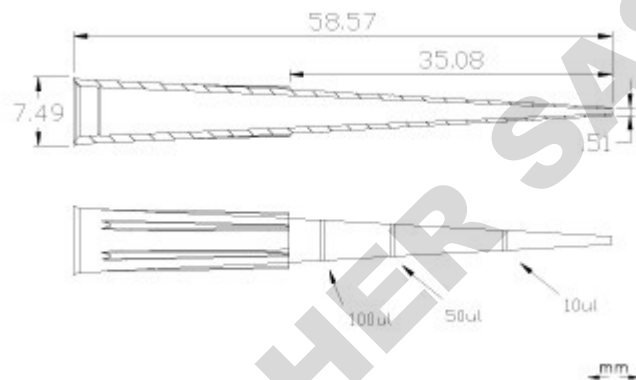




300 µl (1-300 µl) NX - Catalog #31770T



Catalog

Description

31770T

Natural, Polypropylene, Low Binding

Packaging Type

Packaging Details

Bulk Tips

Non-Sterile, Bulk, 1,000 Tips/Bag, 10 Bags/Case , Bulk Pack

Attributes



Volume Range: 1-300 µl

Grad Lines: 10, 50, 100 µl

Certified Human DNA Free
Certified PCR Inhibitor Free
Certified Pyrogen Free