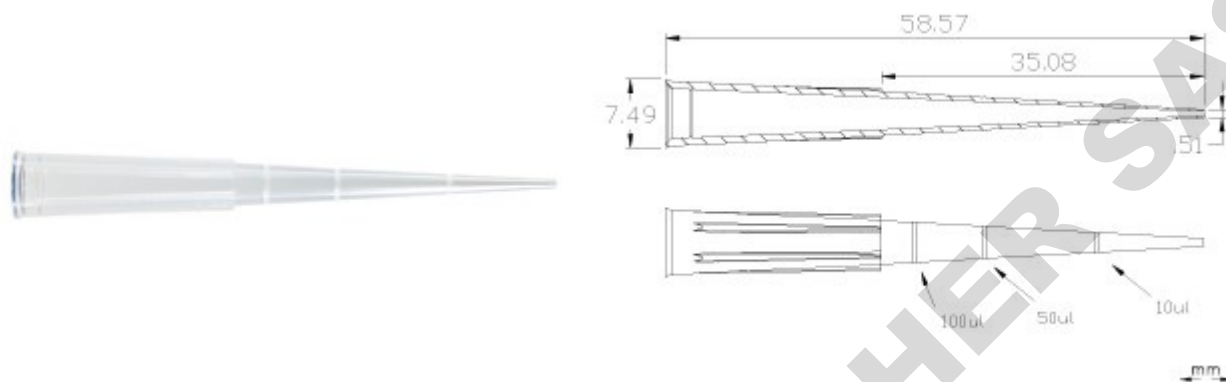


300 µl (1-300 µl) NX - Catalog #31770



Catalog #	Description
31770	Natural, Polypropylene
Packaging Type	Packaging Details
Bulk Tips	Non-Sterile, Bulk, 1,000 Tips/Bag, 10 Bags/Case , Bulk Pack
Attributes	



Certified Human DNA Free
 Certified PCR Inhibitor Free
 Certified Pyrogen Free

Volume Range: 1-330 µl
Grad Lines: 10, 50, 100 µl

DOMINIQUE DUTSCHER SAS