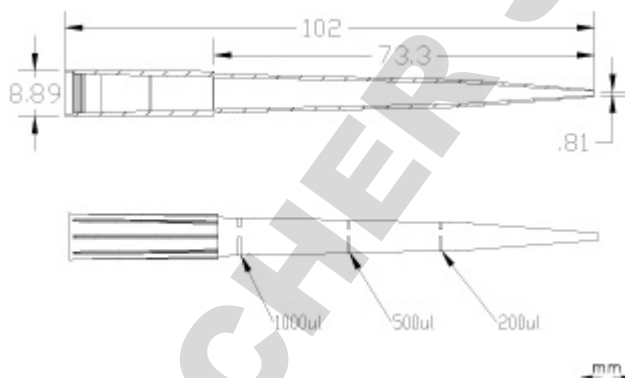


1000 µl (50-1250 µl) XT - Catalog #31610



Catalog #	Description
31610	Natural, Polypropylene
Packaging Type	Packaging Details
Bulk Tips	Non-Sterile, Bulk, 768 Tips/Bag, 10 Bags/Case, Bulk Pack
Attributes	



Certified Human DNA Free
 Certified PCR Inhibitor Free
 Certified Pyrogen Free

Volume Range: 50-1250 µl
Grad Lines: 200, 500, 1000 µl

DOMINIQUE DUTSCHER SAS