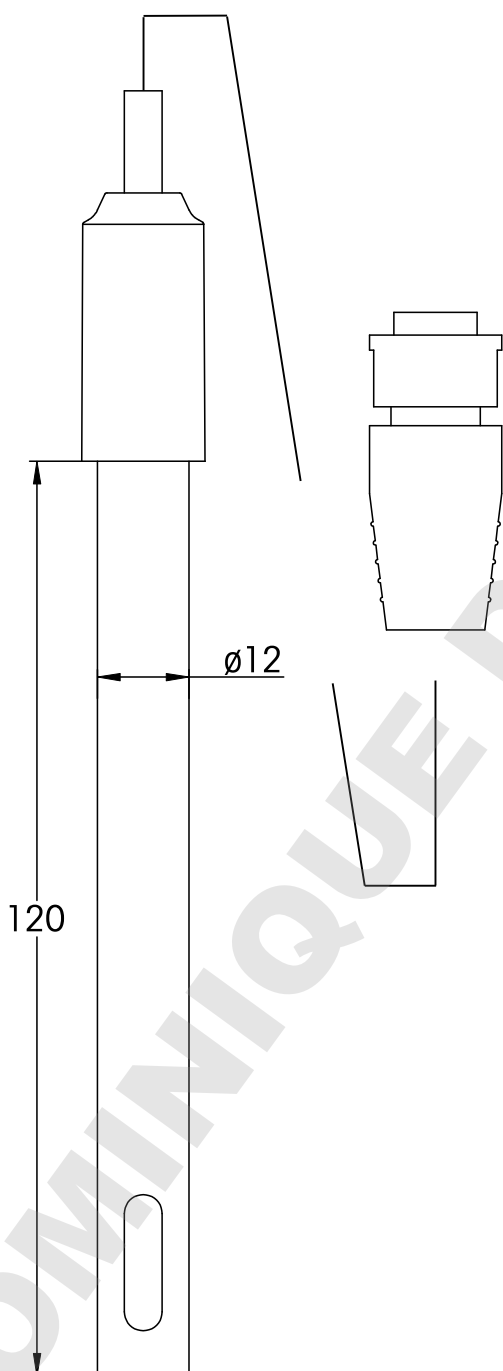


LE703 IP67

Robust conductivity probe for outdoor applications

Cond °C ISM



Sensor type	conductivity cell
Order number	30266974
Specifications	
measuring range	0.01... 200 mS/cm
zero point (pH)	-
temperature range	0...80 °C
temperature probe	NTC 30 k Ω
shaft material	epoxy
membrane glass	-
membrane resistance	-
reference system	-
reference diaphragm	-
reference electrolyte	-
bridge electrolyte	-
electrode head	-
cable length	2.0 m
connector	LTW
cell constant (cm ⁻¹)	0.55
cell type	4 graphite poles
indicating metal	-
Storage	
Dry	