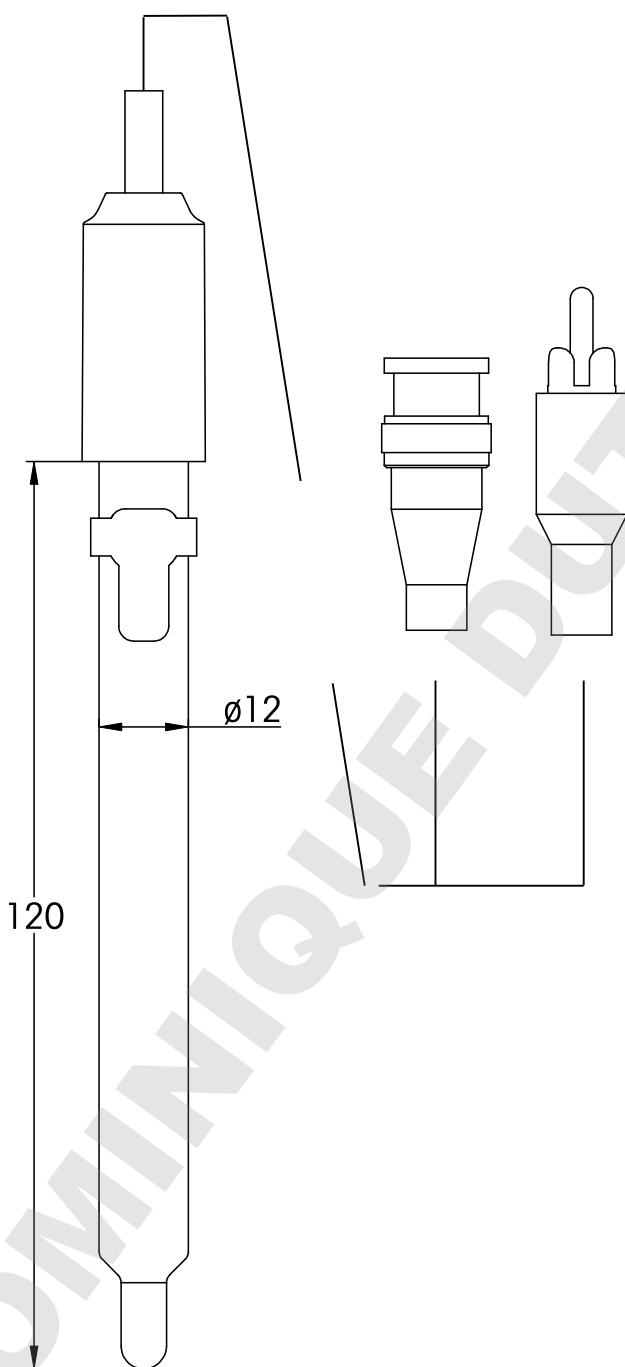


# LE410

For general laboratory applications;  
fast and highly chemical resistant

pH Ref °C ISM



**Sensor type** combined pH electrode

**Order number** 51340348

### Specifications

pH range 0...14  
zero point (pH) 7.00 ± 0.25

temperature range 0...80 °C  
temperature probe NTC 30 kΩ

shaft material glass  
membrane glass HA  
membrane resistance < 600MΩ

reference system Ag / AgCl  
reference diaphragm ceramic  
reference electrolyte 3 mol/L KCl AgCl sat.  
bridge electrolyte -

electrode head -  
cable length 1.0 m  
connector BNC / Cinch

cell constant (cm<sup>-1</sup>) -  
cell type -

indicating metal -

### Storage

3M KCl (51350072)