

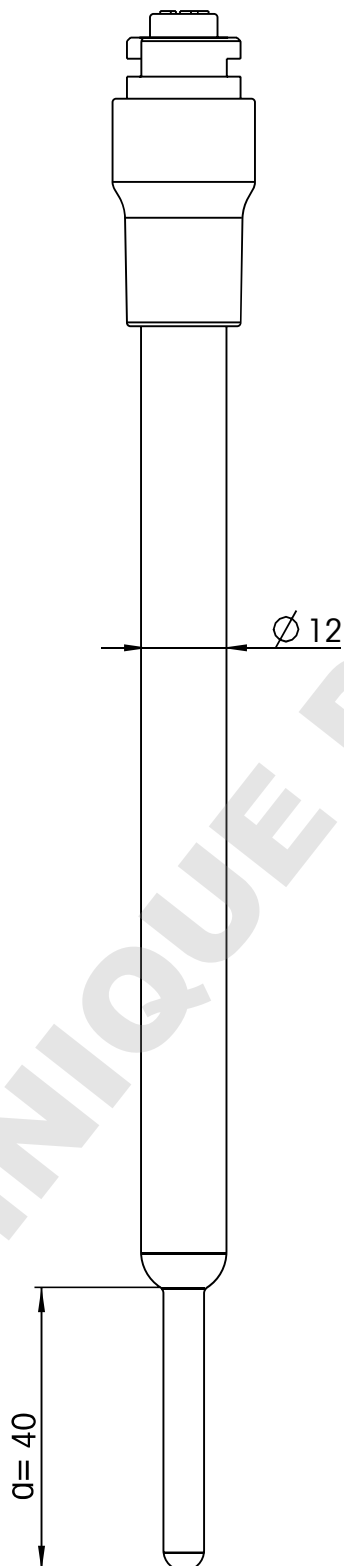
InLab[®] Viscous Pro-ISM

For viscous samples like cosmetics, paints, glue

pH Ref °C ISM



Scale 1:1



Sensor type combined pH electrode

Order number 51343151

Specifications

pH range 0...14

zero point (pH) 7.00 ± 0.25

temperature range 0...130 °C

temperature probe NTC 30 kΩ

shaft material glass

membrane glass HA

membrane resistance < 600 MΩ

reference system SteadyForce™

reference diaphragm ceramic

reference electrolyte FRISCOLYT-C®

bridge electrolyte -

electrode head MultiPin™

cable length -

connector -

cell constant (cm⁻¹) -

cell type -

indicating metal -

Storage

InLab storage solution (30111142)

or 3 mol/L KCl (51350072)