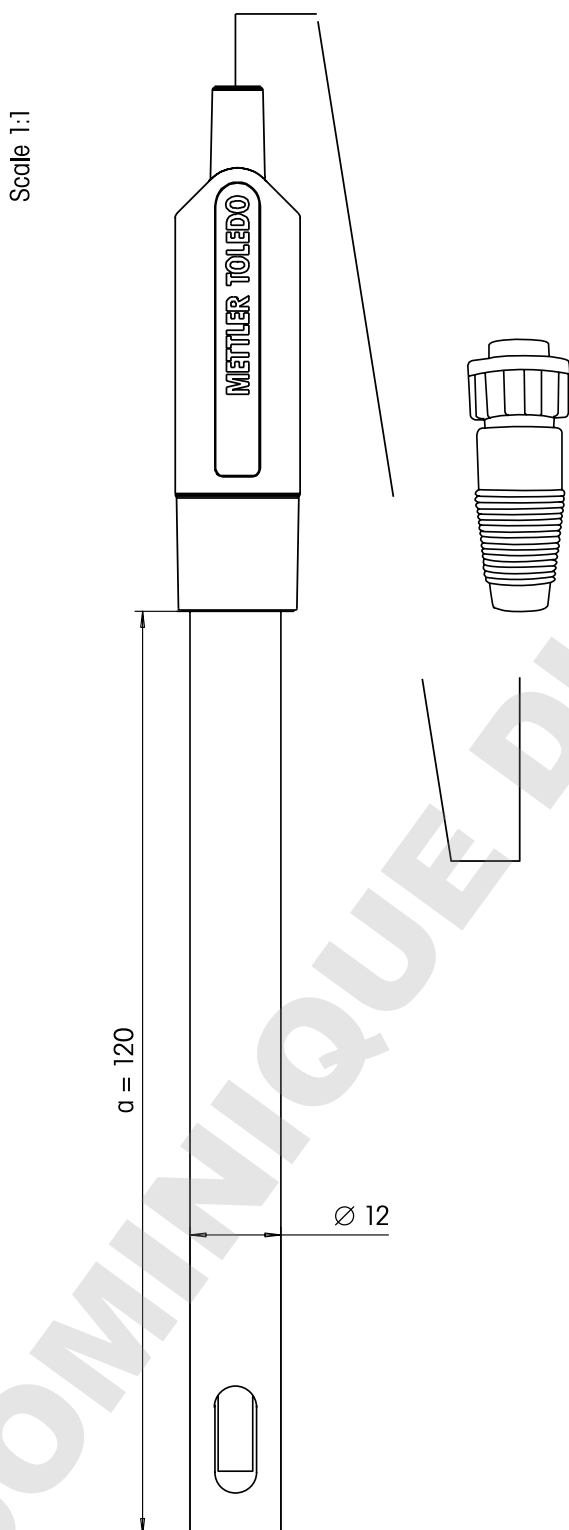


# InLab<sup>®</sup> 742-ISM

Cond °C ISM



For portable applications in the lab and outdoor. Ideal for low conductivity range samples like pure water and ultra pure water.



**Sensor type** conductivity cell

**Order number** 51344116

### Specifications

measuring range 0.001...500 µS/cm

zero point (pH) -

temperature range 0...100 °C

temperature probe NTC 30 kΩ

shaft material stainless steel

membrane glass -

membrane resistance -

reference system -

reference diaphragm -

reference electrolyte -

bridge electrolyte -

electrode head -

cable length 1.8 m

connector LTW (IP67)

cell constant (cm<sup>-1</sup>) 0.105 (certified)

cell type 2 steel poles

indicating metal -

### Storage

dry