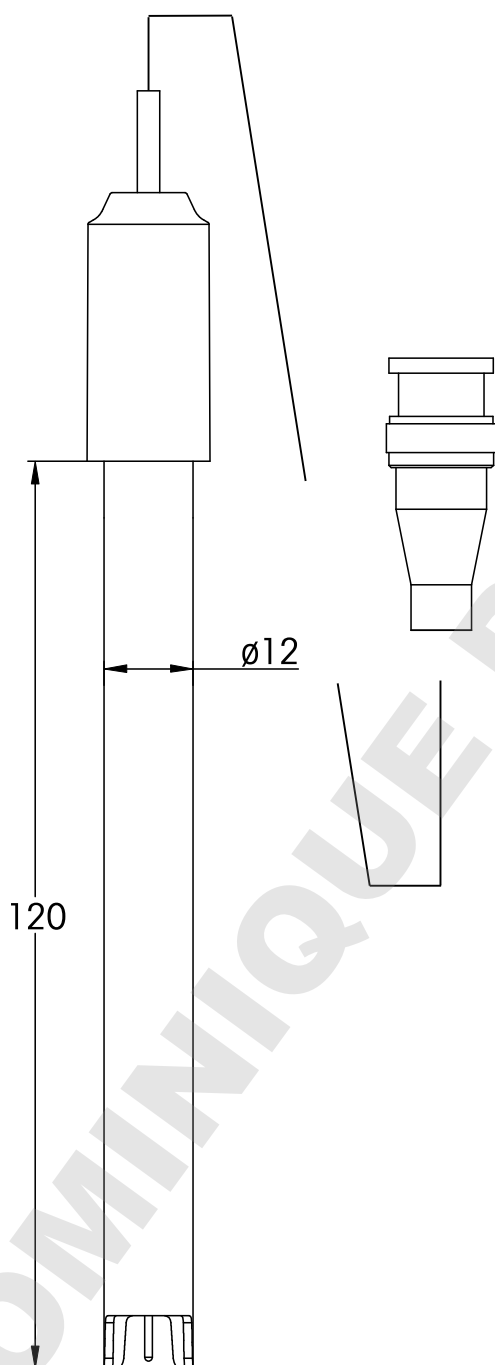


# LE510

Robust plastic ORP electrode

ORP Ref °C ISM



<b>Sensor type</b>	ORP
<b>Order number</b>	51340339
<b>Specifications</b>	
measuring range	-2000...2000 mV
zero point (pH)	-
temperature range	0...80 °C
temperature probe	-
shaft material	POM
membrane glass	-
membrane resistance	-
reference system	Ag / AgCl
reference diaphragm	Polyester
reference electrolyte	gel
bridge electrolyte	-
electrode head	-
cable length	1.0 m
connector	BNC
cell constant (cm <sup>-1</sup> )	-
cell type	-
indicating metal	platinum pin
<b>Storage</b>	
3M KCl (51350072)	