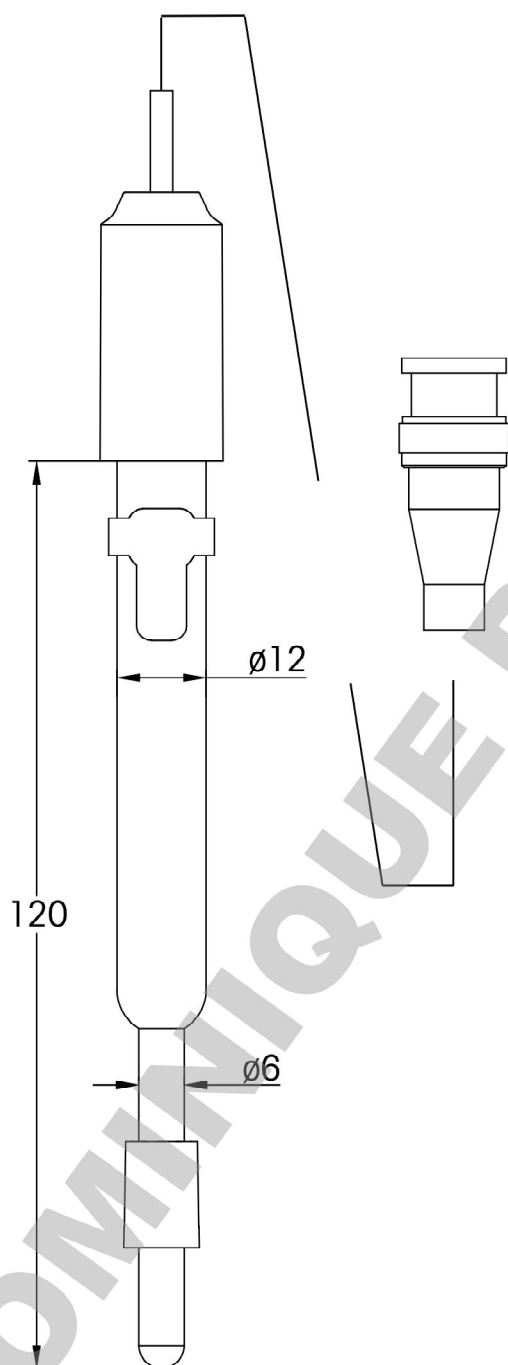


LE420

For demanding samples such as waste water, emulsions, oily samples; refillable electrolyte

pH Ref °C ISM



Sensor type combined pH electrode

Order number 51340332

Specifications

pH range 0...14
zero point (pH) 7.00 ± 0.25

temperature range 0...80 °C
temperature probe -

shaft material glass
membrane glass HA
membrane resistance < 600MΩ

reference system Ag / AgCl
reference diaphragm movable PTFE sleeve
reference electrolyte 3 mol/L KCl
bridge electrolyte -

electrode head -
cable length 1.0 m
connector BNC

cell constant (cm⁻¹) -
cell type -

indicating metal -

Storage

3M KCl (51350072)