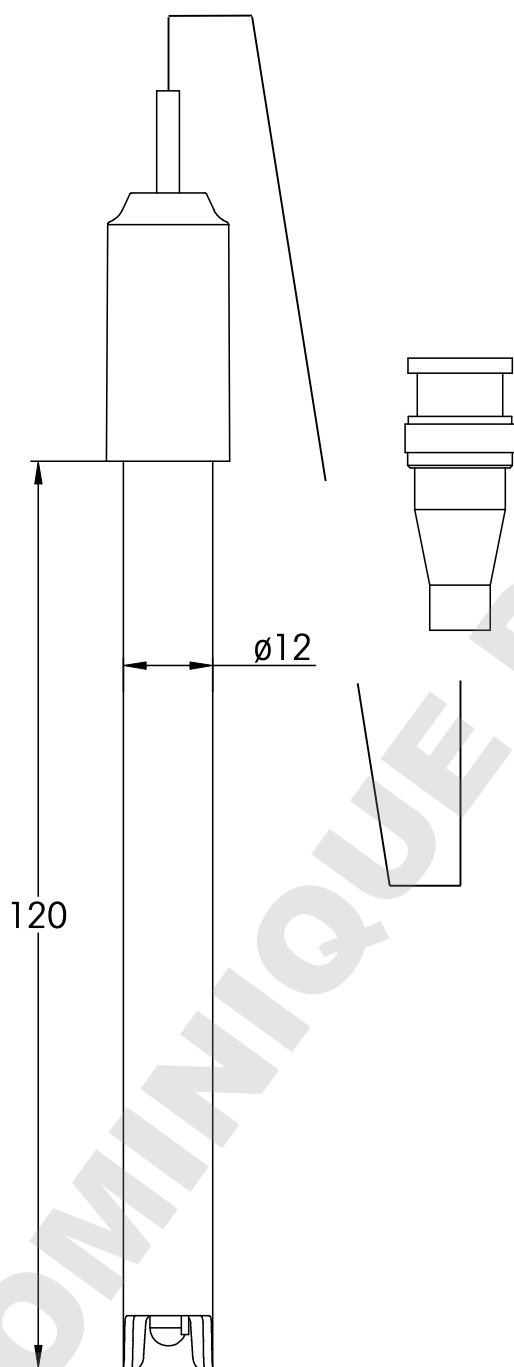


LE407

For general applications;
robust and maintenance-free

pH Ref °C ISM



Sensor type combined pH electrode

Order number 51340330

Specifications

pH range 0...14
zero point (pH) 7.00 ± 0.25

temperature range 0...80 °C
temperature probe -

shaft material POM
membrane glass U
membrane resistance $< 250M\Omega$

reference system Ag / AgCl
reference diaphragm Polyester
reference electrolyte gel
bridge electrolyte -

electrode head -
cable length 1.0 m
connector BNC

cell constant (cm⁻¹) -
cell type -

indicating metal -

Storage

3M KCl (51350072)