

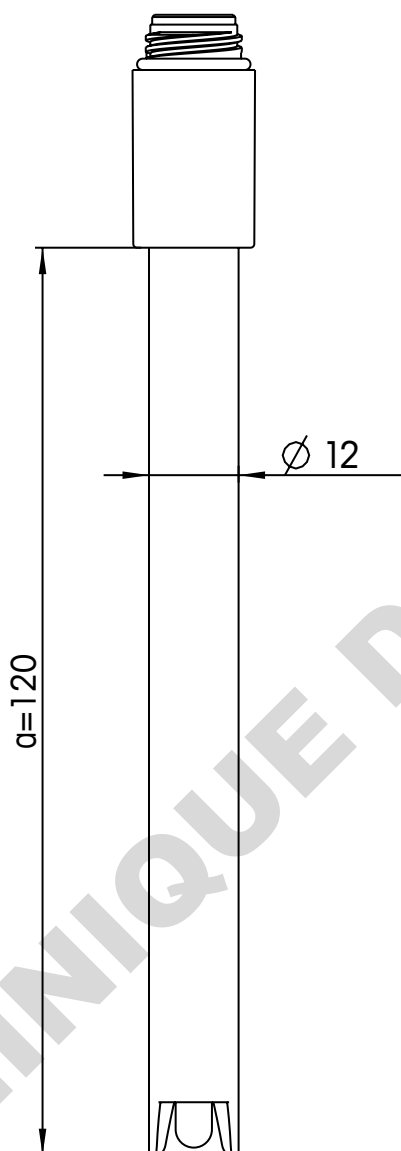
InLab[®] Expert

For general applications in the lab and outdoor;
robust and maintenance-free

pH Ref °C ISM



Scale 1:1



Sensor type combined pH electrode

Order number 51343100

Specifications

pH range 0...14

zero point (pH) 7.00 ± 0.25

temperature range 0...100 °C

temperature probe -

shaft material PEEK

membrane glass U

membrane resistance < 250 M Ω

reference system ARGENTHAL[™]

reference diaphragm double open junction

reference electrolyte XEROLYT[®] polymer

bridge electrolyte -

electrode head S7

cable length -

connector -

cell constant (cm⁻¹) -

cell type -

indicating metal -

Storage

InLab storage solution (30111142) or
FRISCOLYT-B[®] (51340053)