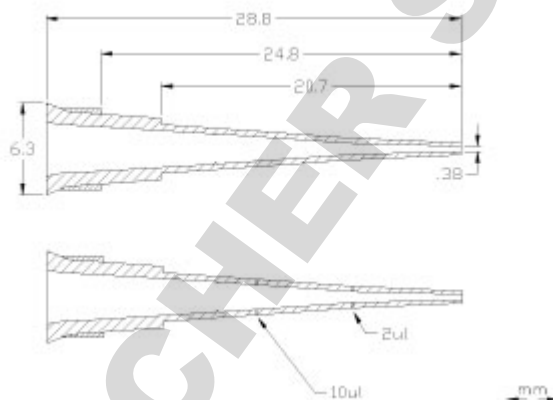


10 µl (0.1 - 10 µl) Ultra G - Catalog #30470



Catalog #	Description
30470	Natural, Polypropylene
Packaging Type	Packaging Details
QuickRack	Non-Sterile, Reload, 960 Tips/Pack, 5 Packs/Case, QuickRack
Attributes	



Certified Human DNA Free
 Certified PCR Inhibitor Free
 Certified Pyrogen Free

Volume Range: 0.1-10 µl
Grad Lines: 2, 10 µl

DOMINIQUE DUTSCHER SAS