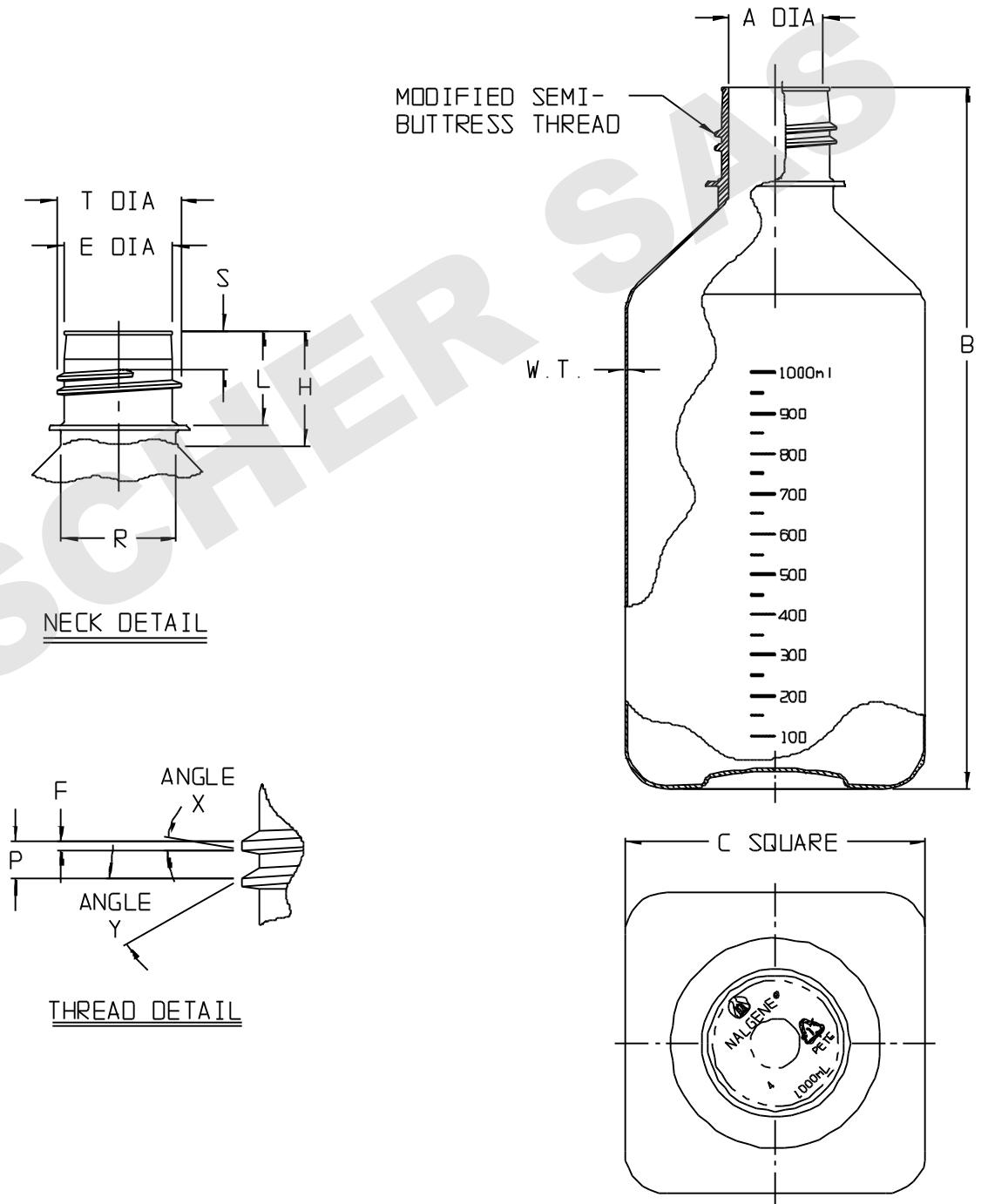


CATALOG NUMBER	NOMINAL CAPACITY, (oz)				MATERIAL
342044	4	8	20	32	PET

SIZE CODE	-0125		-0250		-0650		-1000	
SIZE (NOM VOL mL/oz):	125/4		250/8		650/20		1000/32	
NOM. BRIM CAP. (mL):	184		340		700		1330	
NECK FINISH (mm):	38-430		38-430		38-430		38-430	
THREAD (T.P.I.):	6		6		6		6	
NOM. WEIGHT (gms):	30		42		70		93	
	INCHES	MM	INCHES	MM	INCHES	MM	INCHES	MM
A (BTLE. NECK I.D.):	1.12±.025	28.4±0.64	1.12±.025	28.4±0.64	1.12±.025	28.4±0.64	1.12±.025	28.4±0.64
B (HEIGHT):	4.10±.04	104.1±1.0	5.57±.06	141.5±1.5	6.82±.09	173.2±2.3	8.42±.09	213.9±2.3
C (SQUARE):	2.07±.02	52.6±0.5	2.33±.05	59.2±1.3	3.00±.06	76.2±1.5	3.63±.07	92.2±1.8
MIN. WALL @ BOT COR.:	0.007	0.18	0.007	0.18	0.007	0.18	0.010	0.25
MIN. WALL ELSEWHERE:	0.012	0.30	0.012	0.30	0.012	0.30	0.012	0.30
T (MAJOR THRD DIA):	1.47	37.3	1.47	37.3	1.47	37.3	1.47	37.3
E (MINOR THRD DIA):	1.30	33.0	1.30	33.0	1.30	33.0	1.30	33.0
S (START OF THRD):	0.46	11.7	0.46	11.7	0.46	11.7	0.46	11.7
L:	1.12	28.4	1.12	28.4	1.12	28.4	1.12	28.4
H:	1.30	33.0	1.33	33.8	1.30	33.0	1.30	33.0
F (THRD FACE):	0.036	0.91	0.036	0.91	0.036	0.91	0.036	0.91
P (PITCH):	0.167	4.24	0.167	4.24	0.167	4.24	0.167	4.24
R:	1.38	35.1	1.38	35.1	1.38	35.1	1.38	35.1
ANGLE X:	10°		10°		10°		10°	
ANGLE Y:	30°		30°		30°		30°	

NOTES:

1. ALL DIMENSIONS ARE NOMINAL AND IN INCHES AND MILLIMETERS UNLESS OTHERWISE NOTED.
2. THIS IS NOT A PRODUCTION DRAWING, BUT IS FOR INFORMATIONAL PURPOSES ONLY, AND IS SUBJECT TO CHANGE WITHOUT NOTICE.



SPECS ON BACK

NOT TO SCALE

CONFIDENTIAL

THIS PRODUCT SPECIFICATION SHEET CONTAINS CONFIDENTIAL AND/OR PROPRIETARY INFORMATION AND IS TO BE USED ONLY FOR THE EXPRESSED PURPOSES AGREED UPON BY AN AUTHORIZED OFFICER OF THERMO FISHER SCIENTIFIC.

ThermoFisher
SCIENTIFIC

Thermo Fisher Scientific
75 Panorama Creek Drive
Rochester, NY 14625-2385, USA

MADE MC 2	APP'D PVC	PSS 342044-XXXX-1	REV. 1103
DATE 11/18/03	DATE 11/18/03	DESCRIPTION: PET, SQUARE, (NARROW-MOUTH) MEDIA LAB QUALITY BOTTLES, STERILE	